

TANCO AUTOWRAP SYSTEMS

1200 MODEL 1992

C/W LIFT ARM

OPERATORS HANDBOOK

AND

PARTS LIST

WD625-M0692

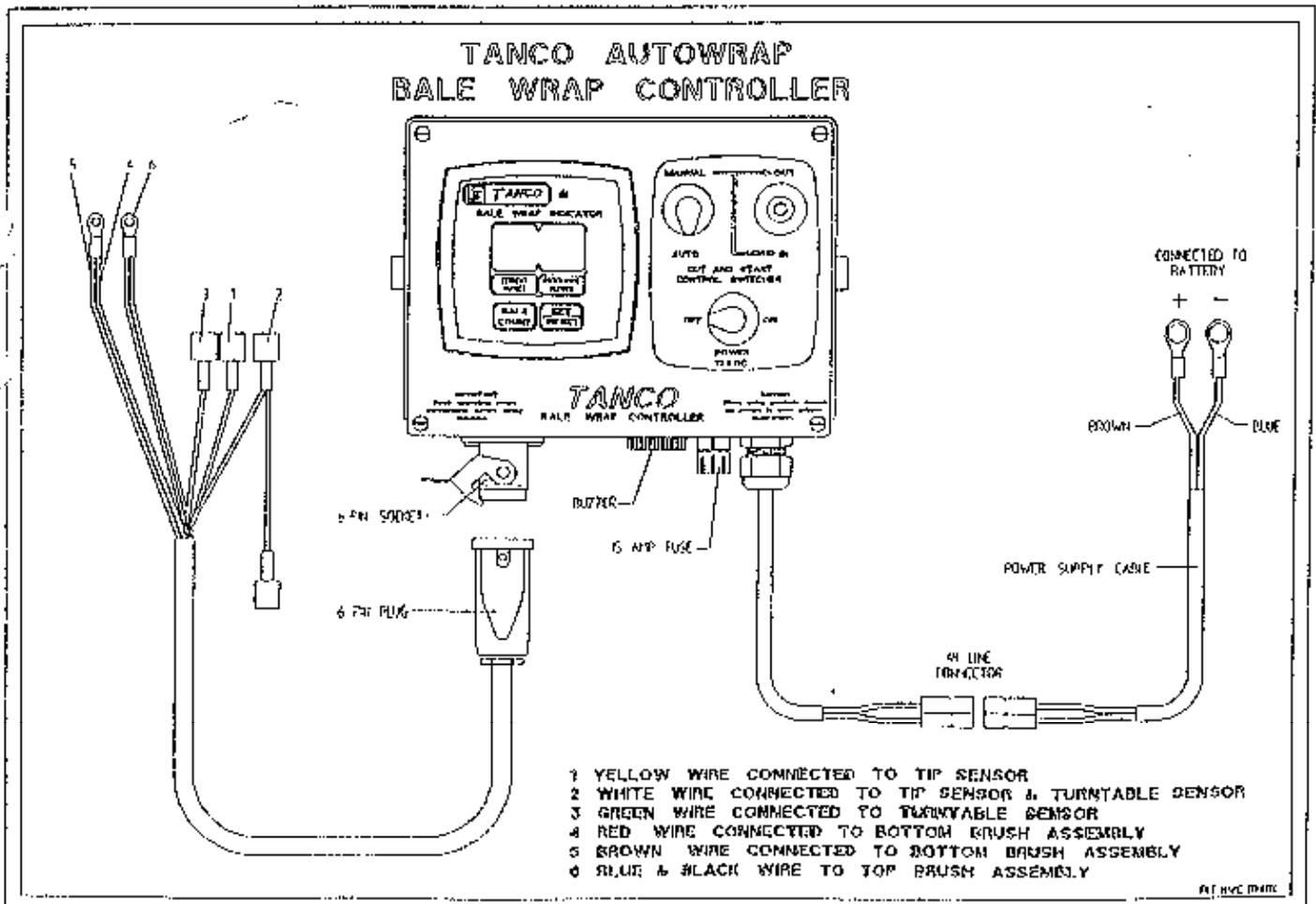
### Bale Wrap Controller:

Connect direct to battery - as per operating instructions and switch on.

Note that it is preset to 16 which is the number of turntable revolutions required to fully wrap a square or round bale using 750 film with 4 layers. This number can be adjusted up or down by pressing the star sign, holding it down, and pressing the set/reset button. See attached film application chart

To enable you to understand how the controller works, here is a brief resume of its functions:

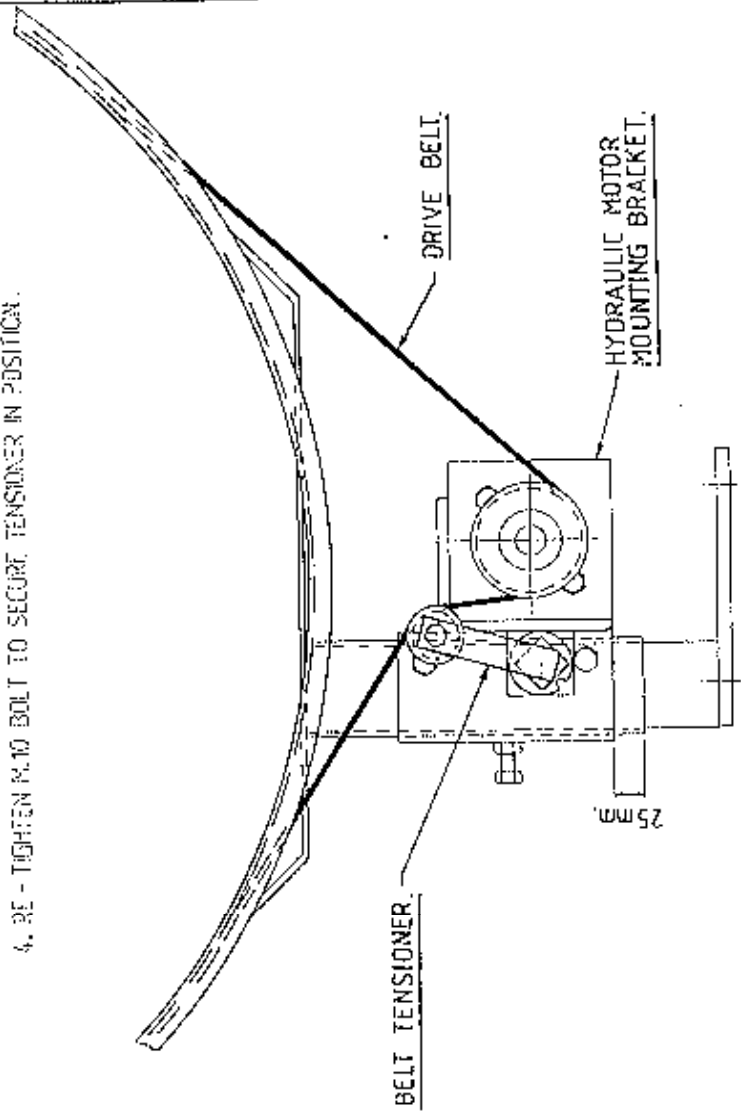
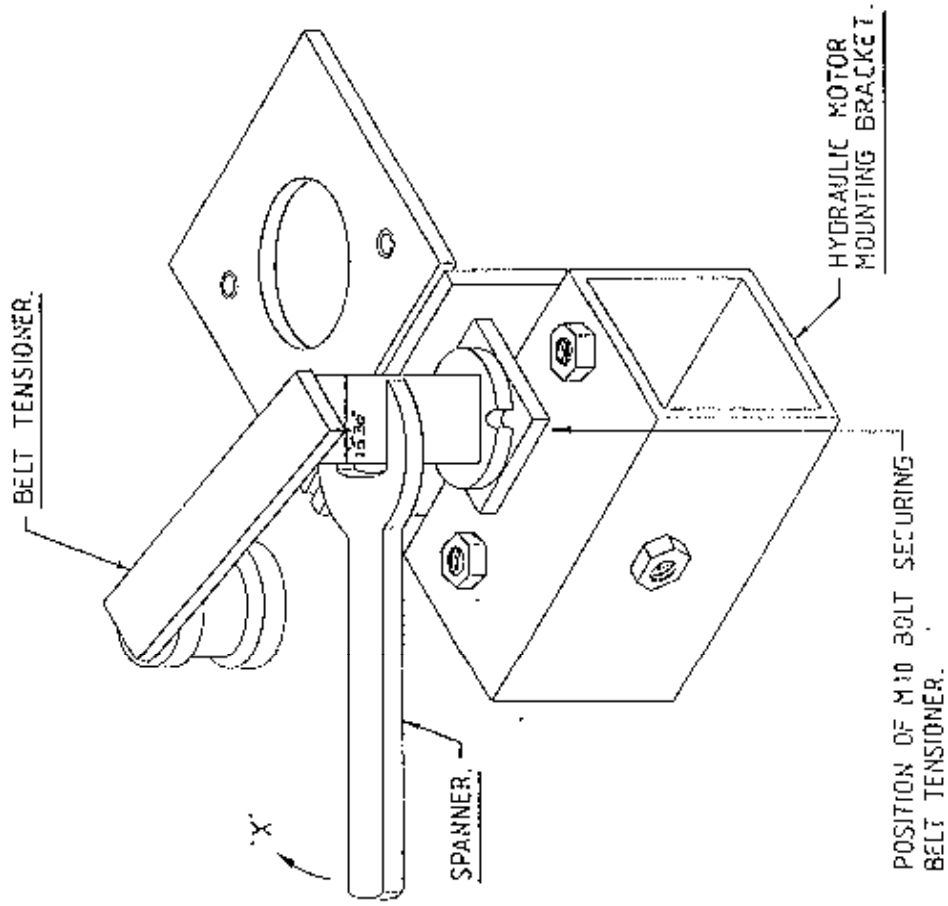
- (1) After two revolutions of the turntable the actuator pushes open the Cut and Start, this action takes 8.5 seconds until the latch engages, then after 6 revolutions of the turntable, the actuator closes for a period of 6.5 seconds and stops in the rest position. When the turntable is tipped, the magnet operates the sensor which activates the linear actuator which closes fully, and in doing so, trips the latch releasing the gripper arm which slams closed under the spring pressure, cutting the film and, at the same time gripping the film for the next bale.



# TANCO AUTOV, RAP, 992. DRIVE BELT TENSIONING SYSTEM.

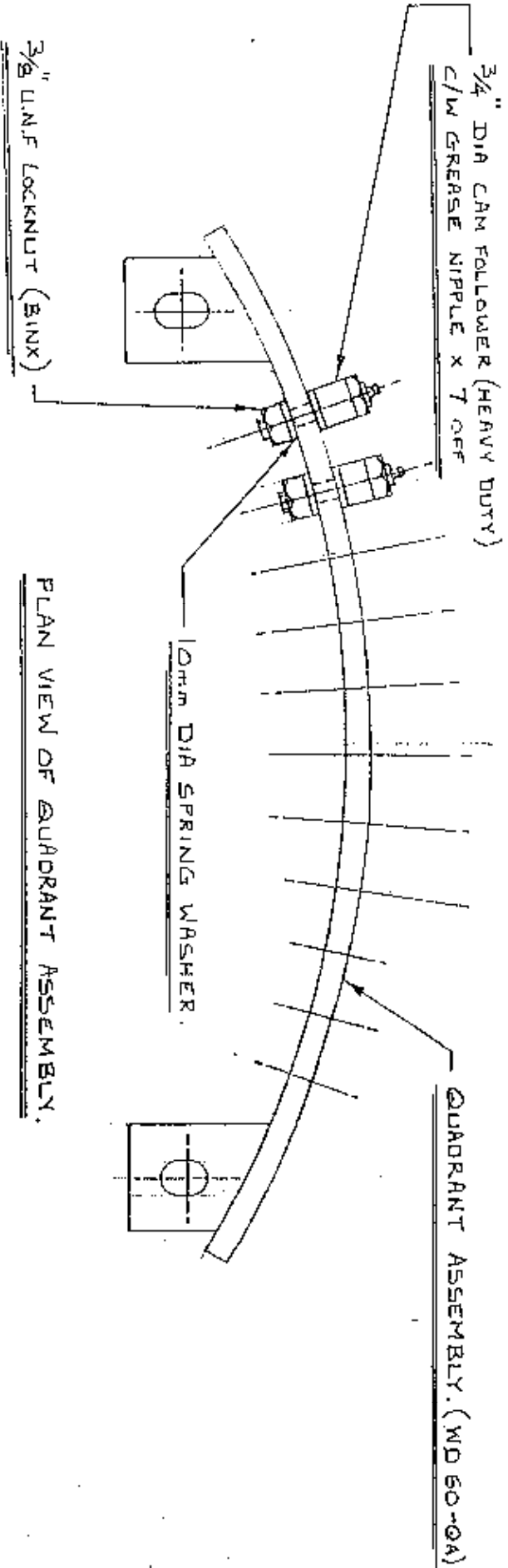
## BELT TENSIONING PROCEDURE

1. CHECK THAT HYDRAULIC MOTOR MOUNTING BRACKET IS SECURED IN POSITION USING 25mm DIMENSION AS SHOWN.
2. LOOSEN M10 BOLT SECURING BELT TENSIONER.
3. TENSION BELT BY ADJUSTING TENSIONER USING SPANNER IN DIRECTION OF ARROW "X" UNTIL SETTING OF 25 - 30 IS REACHED.
4. RE - TIGHTEN M10 BOLT TO SECURE TENSIONER IN POSITION.



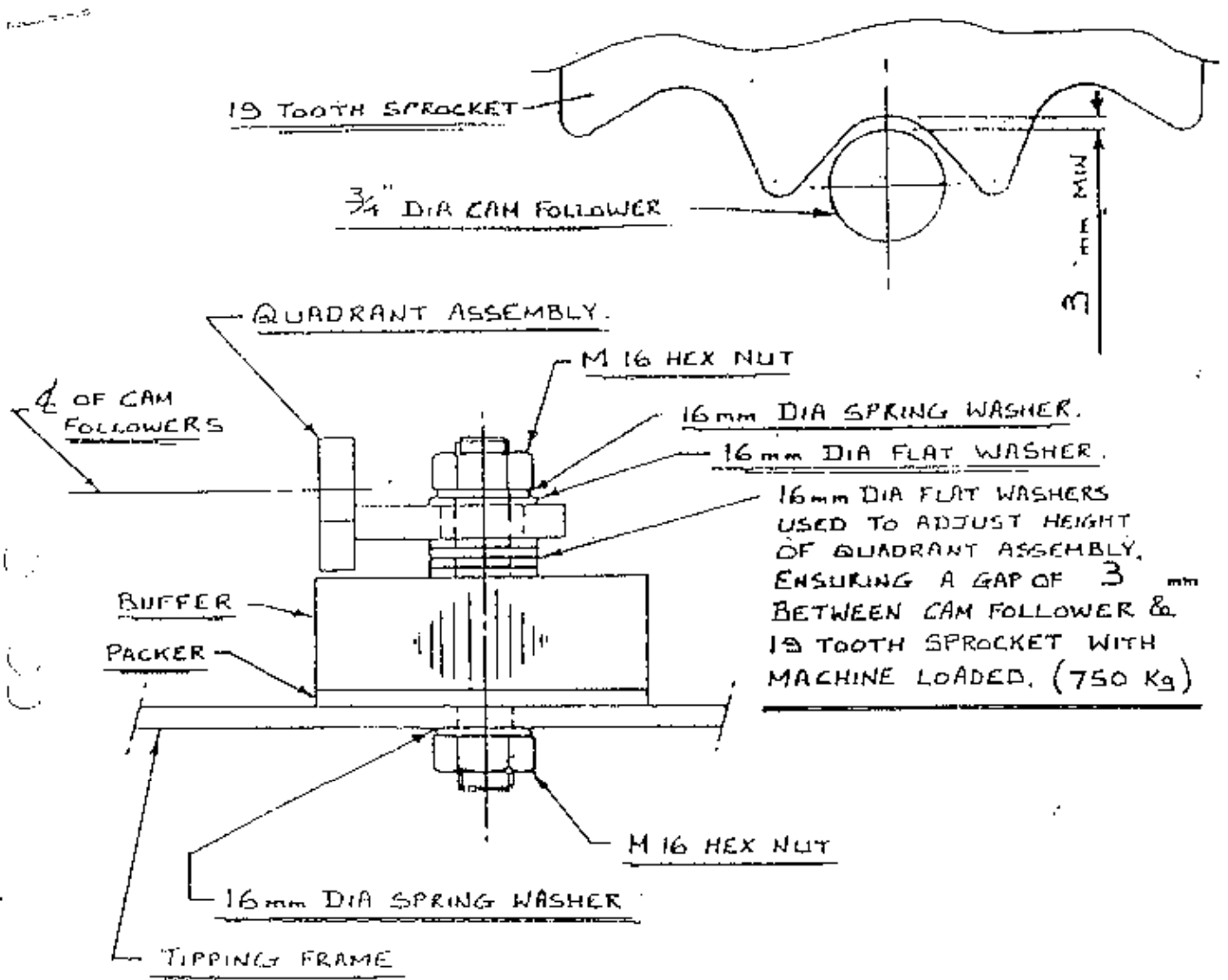
POSITION OF M10 BOLT SECURING BELT TENSIONER.

NOTE:  
 WHEN FITTING  $\frac{3}{4}$ " DIA CAM FOLLOWERS TO QUADRANT ASSEMBLY IT IS NECESSARY TO TORQUE NUTS TO 26 FT/LB.

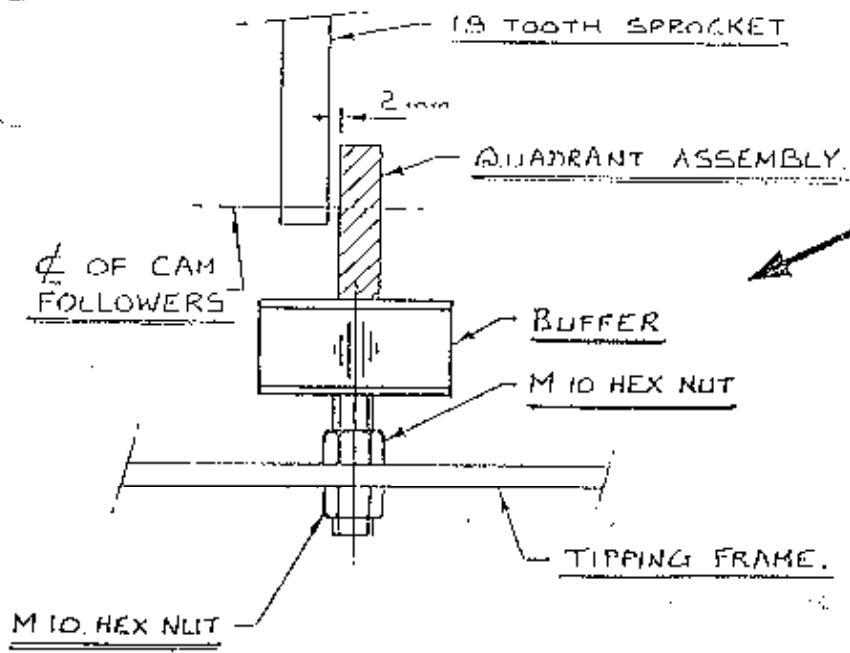


PLAN VIEW OF QUADRANT ASSEMBLY.

NOTE:  
 ENSURE THAT M20 HEX HD BOLT X 110 mm LONG USED TO MOUNT 4" DIA SUPPORT WHEELS ON TURNABLE ASSEMBLY IS POSITIONED WITH BOLT HEAD TO INSIDE TO AVOID FOULING  $\frac{3}{4}$ " DIA CAM FOLLOWER.



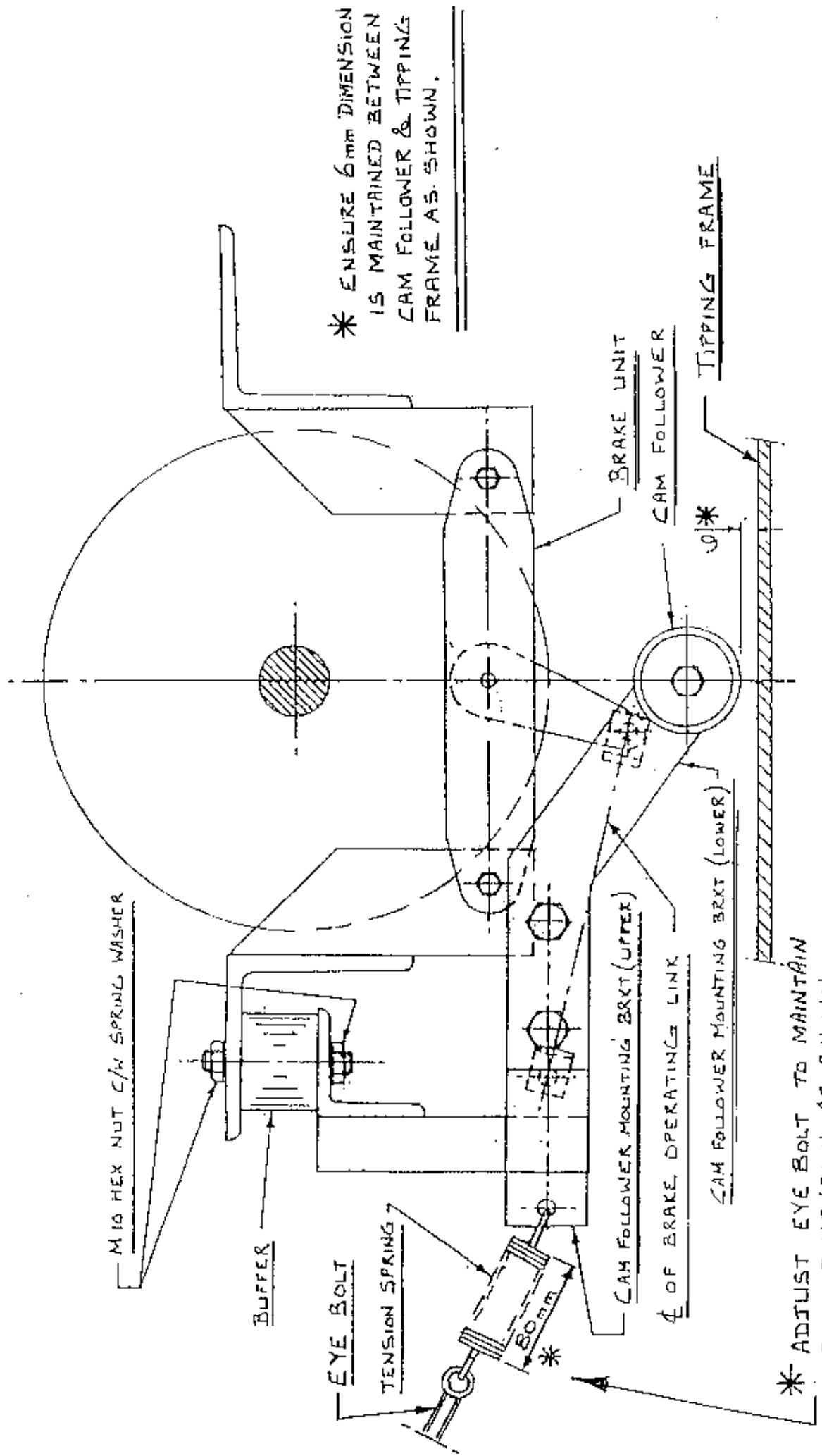
TANCO AUTO WRAP. 1992  
 INDEX SHAFT. SPROCKET CLEARANCE ADJUSTMENT.



NOTE:  
 AFTER SETTING QUADRANT POSITION ADJUST CENTRE BUFFER HEIGHT UNTIL IT TOUCHES LOWER EDGE OF QUADRANT ASSEMBLY AS SHOWN.

# PANCO AUTO WRAP (1-92)

## INDEX SHAFT, DISC BRAKE ADJUSTMENT



\* ENSURE 6mm DIMENSION IS MAINTAINED BETWEEN CAM FOLLOWER & TIPPING FRAME AS SHOWN.

\* ADJUST EYE BOLT TO MAINTAIN 60mm DIMENSION AS SHOWN

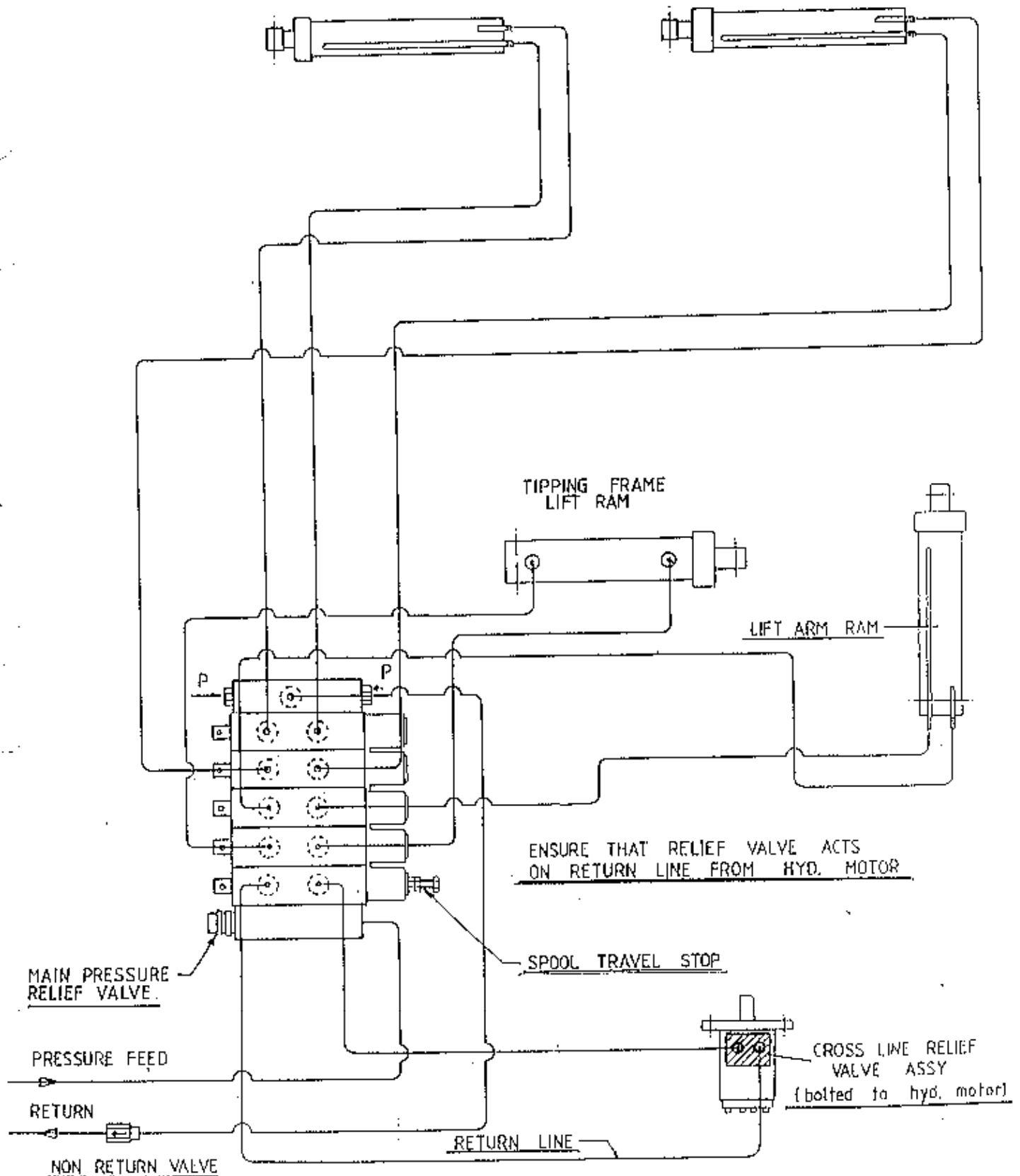
# TANCO AUTOWRAP 1200 MODEL HYDRAULIC CIRCUIT

**NOTE:** (A) When connected to a John Deere tractor remove existing plugs marked 'P' from both ports on return plate and replace with closed centre plugs to convert valve to closed centre.  
The main pressure relief valve must then be adjusted to a pressure setting higher than tractor main pressure relief valve.

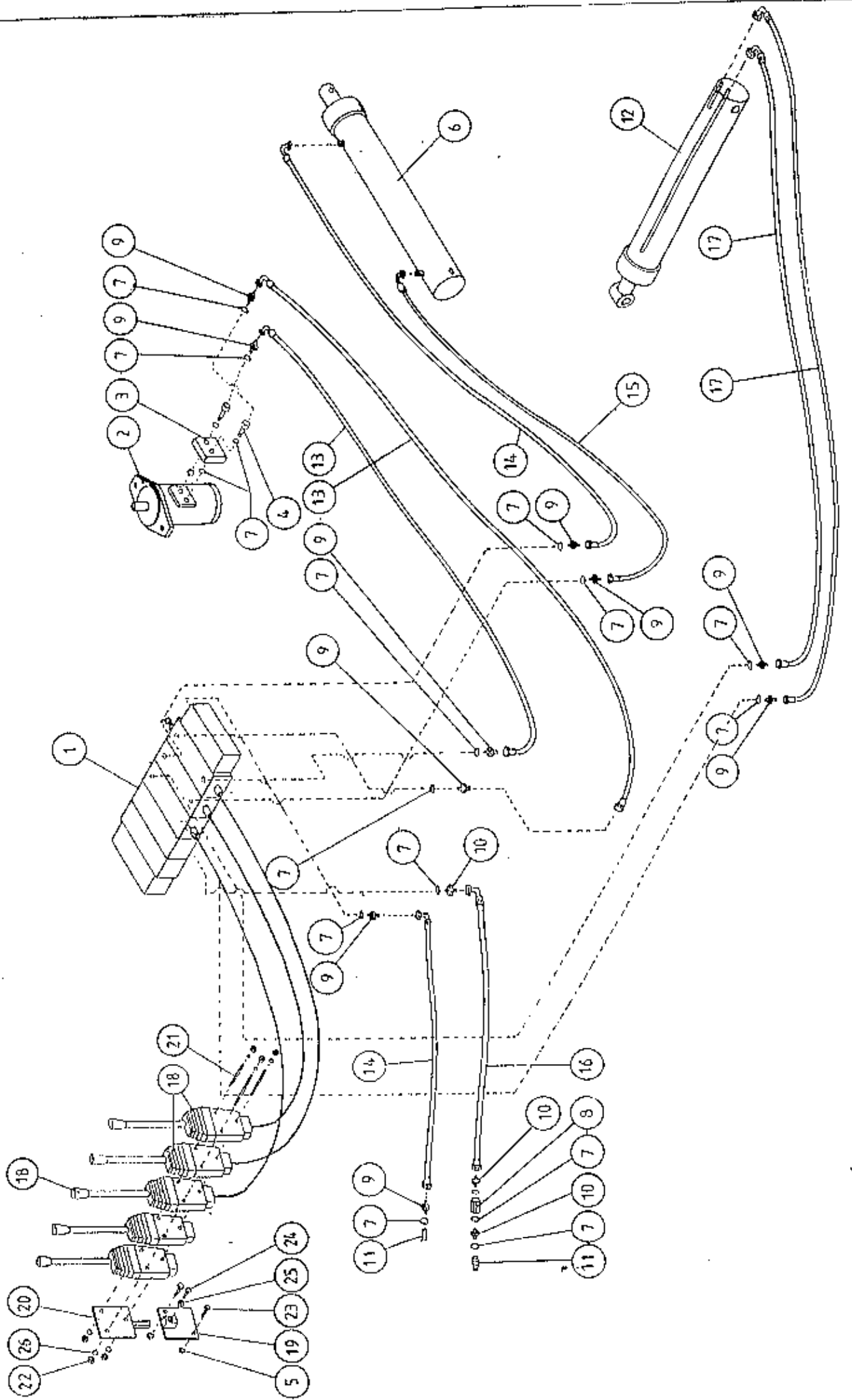
(B) Spool valve stop is factory set and must not be tampered with.

GRAB SECTION  
HYD. RAM

GRAB FRAME  
HYD. RAM



TANCC AGIWRAP 1200 MODEL  
HYDRAULIC COMPONENTS (DIN)





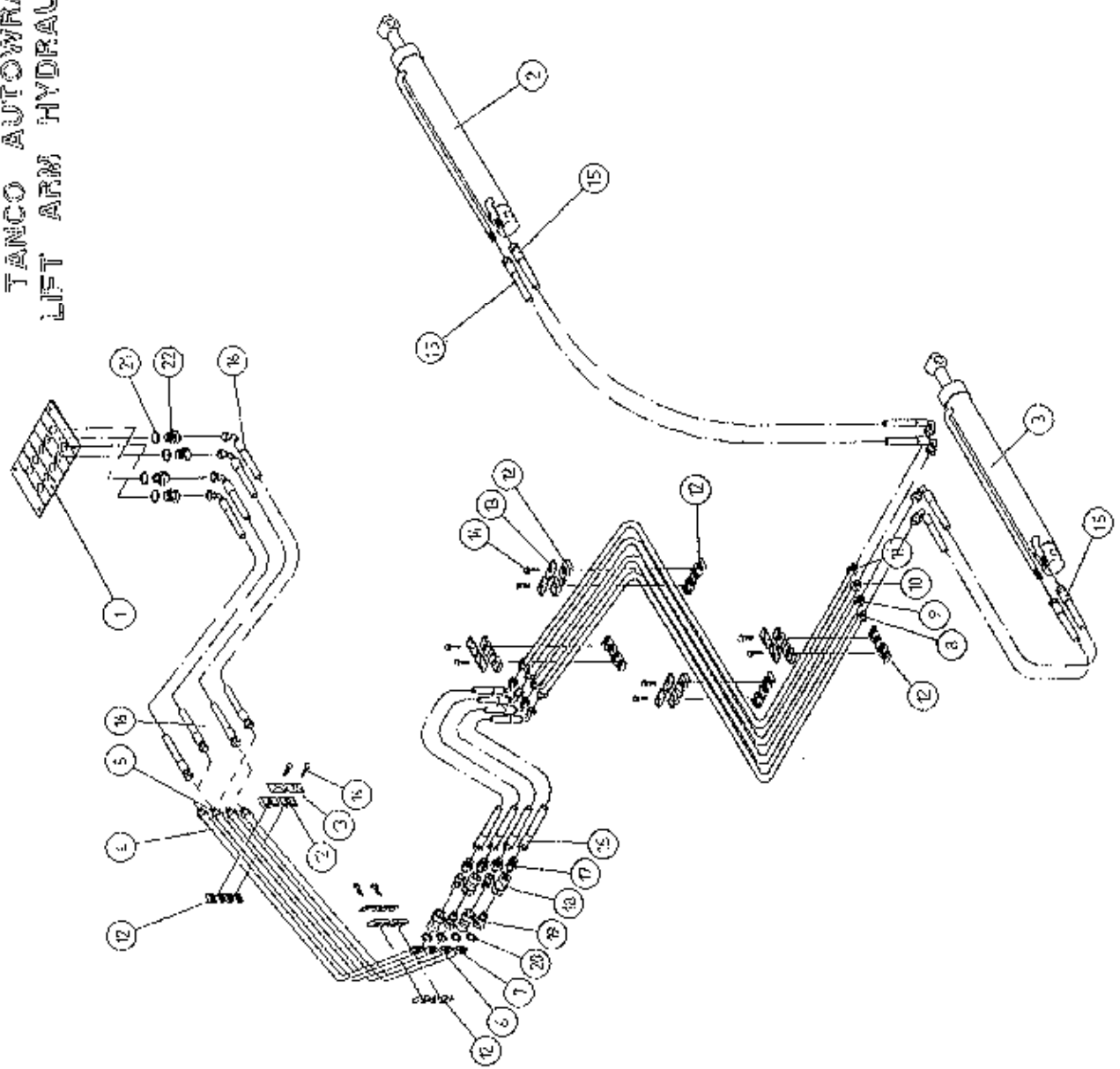
TANCO AUTOWRAP 1200 MODEL (TRAILED) 1992

HYDRAULIC COMPONENTS (DIN)

PARTS LIST

<u>ITEM NO.</u>	<u>DESCRIPTION</u>	<u>QTY.</u>	<u>PART NO.</u>
1.	5 BANK SPOOL VALVE (DIN) C/W LEVERS	1	Z01-03-018D5
2.	HYDRAULIC MOTOR (C.L.)	1	Z01-02-AR75
3.	CROSS LINE RELIEF VALVE	1	Z01-03-002
4.	1/2" BSP BOTTOM BANJO BOLT (SPECIAL)	2	
5.	M10 LOCKNUT	2	Z23-10
6.	HYD. RAM (FOR TIPPING FRAME)	1	Z01-01-AR687
7.	1/2" DOWTY WASHER	18	Z01-04-03
8.	1/2" NON RETURN VALVE	1	Z01-03-017
9.	1/2" x 3/8" ADAPTOR	10	Z01-06-06-08
10.	1/2" x 1/2" ADAPTOR	3	Z01-06-08-08
11.	1/2" MALE END Q/R COMPLING	2	Z01-15-081
12.	HYD. RAM (FOR LIFT ARM)	1	Z01-01-AW
13.	96" ST/90 3/8" D/W HOSE	2	Z38-R2-96-S9
14.	84" ST/90 3/8" D/W HOSE	2	Z38-R2-84-S9
15.	72" ST/90 3/8" D/W HOSE	1	Z38-R2-72-S9
16.	84" ST/90 1/2" S/W HOSE	1	Z12-R1-84-S9
17.	120" ST/90 3/8" D/W HOSE	2	Z38-R2-120S9
18.	3 1/2" METER CABLE C/W ACTUATOR	5	Z004-03-0075 Z004-03-009 Z004-03-014
19.	ACTUATOR MTG. BRACKET BOTTOM HALF	1	WD60-AMBB
20.	ACTUATOR MTG. BRACKET TOP HALF	1	WD60-AMBT/WSR150
21.	TIE BOLT (M8 x 235mm LONG)	3	
22.	M8 HEX NUT	6	Z18-08
23.	M10 HEX HD. SETS x 40mm LONG	2	Z26-064S
24.	M12 HEX HD. SET x 30mm LONG	1	Z26-082S
25.	M12 HEX NUT	1	Z18-12
26.	8mm DIA SPRING WASHER	6	Z12-02-08

TANCO AUTOWRAP 120C MODEL  
LIFT ARM HYDRAULIC COMPONENTS



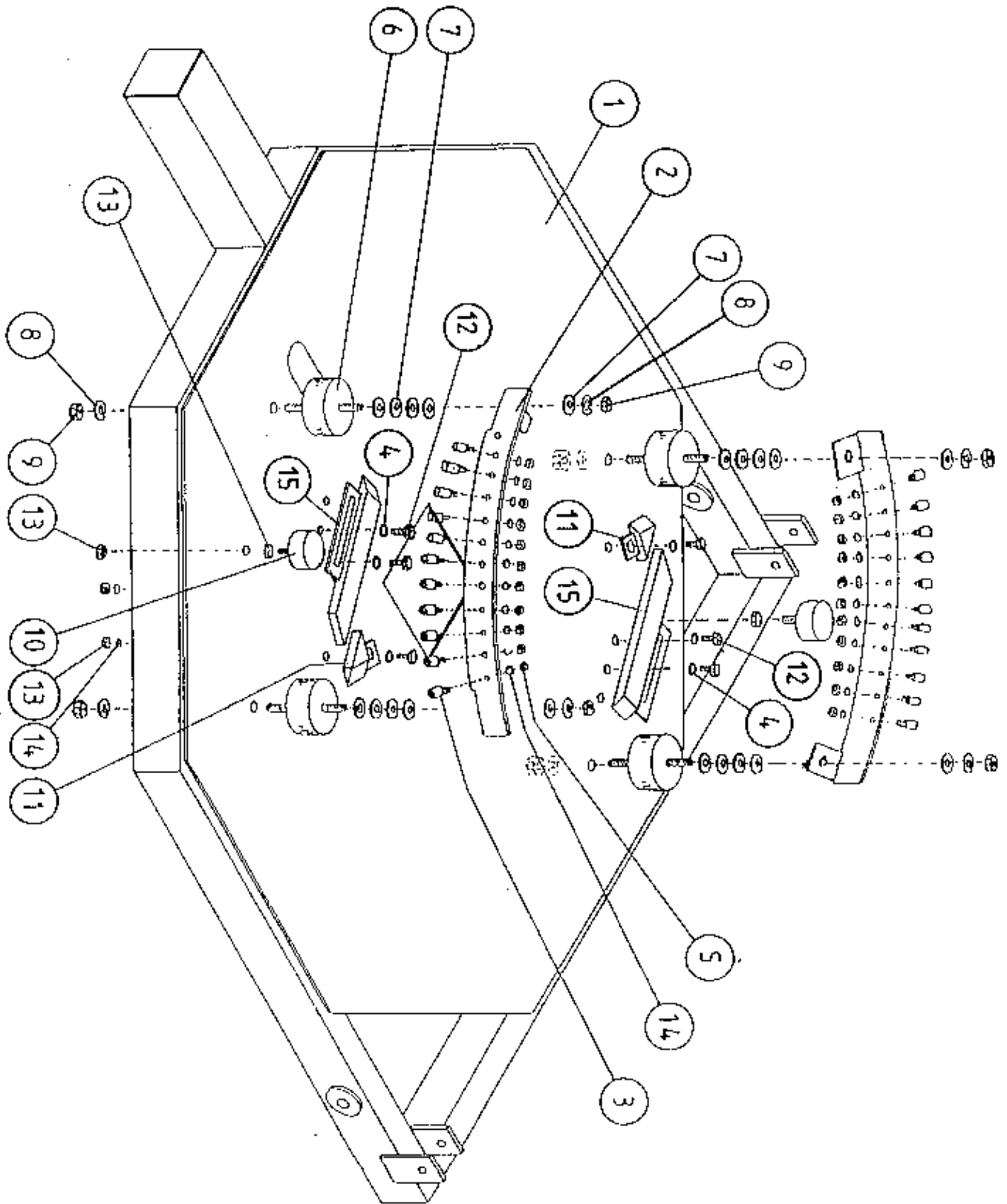
WD 625 - PL3

TANCO AUTOWRAP 1200 MODEL  
LIFT ARM HYDRAULIC COMPONENTS

PARTS LIST

<u>ITEM NO.</u>	<u>DESCRIPTION</u>	<u>QTY.</u>	<u>PART NO.</u>
1.	5 BANK SPOOL VALVE (DIN) C/W LEVERS	1	Z01-03-018D5
2.	HYDRAULIC RAM D/A	1	Z01-01-140
3.	HYDRAULIC RAM D/A	1	Z01-01-140S
4.	HYDRAULIC PIPE (CHASSIS)	1	WD625-070
5.	HYDRAULIC PIPE (CHASSIS)	1	WD625-071
6.	HYDRAULIC PIPE (CHASSIS)	1	WD625-072
7.	HYDRAULIC PIPE (CHASSIS)	1	WD625-073
8.	HYDRAULIC PIPE (LIFT ARM)	1	WD625-065
9.	HYDRAULIC PIPE (LIFT ARM)	1	WD625-066
10.	HYDRAULIC PIPE (LIFT ARM)	1	WD625-067
11.	HYDRAULIC PIPE (LIFT ARM)	1	WD625-068
12.	PIPE CLAMP TOP/BOTTOM (DOUBLE)	12	Z01-24-26
13.	TOP CLAMPING PLATE	12	Z01-24-28
14.	M8 HEX HD BOLT x 35mm LONG	12	Z26-042B
15.	40" ST/90° 3/8" D/W HOSE	4	Z38-R2-40-S9
16.	24" ST/90° 3/8" D/W HOSE	8	Z38-R2-24-S9
17.	3/8" x 3/8" ADAPTOR	4	Z01-06-06-06
18.	3/8" FEMALE Q/R COUPLING	4	Z01-15-062
19.	3/8" MALE Q/R COUPLING	4	Z01-15-061
20.	3/8" DOWTY WASHER	4	Z01-04-02
21.	1/2" DOWTY WASHER	4	Z01-04-03
22.	1/2" x 3/8" ADAPTOR	4	Z01-06-06-08

# TANCO AUTOWRAP 1992 INDEXING QUADRANT ASSY (50% OVERLAP WITH 750mm WIDE FILM ROLL)



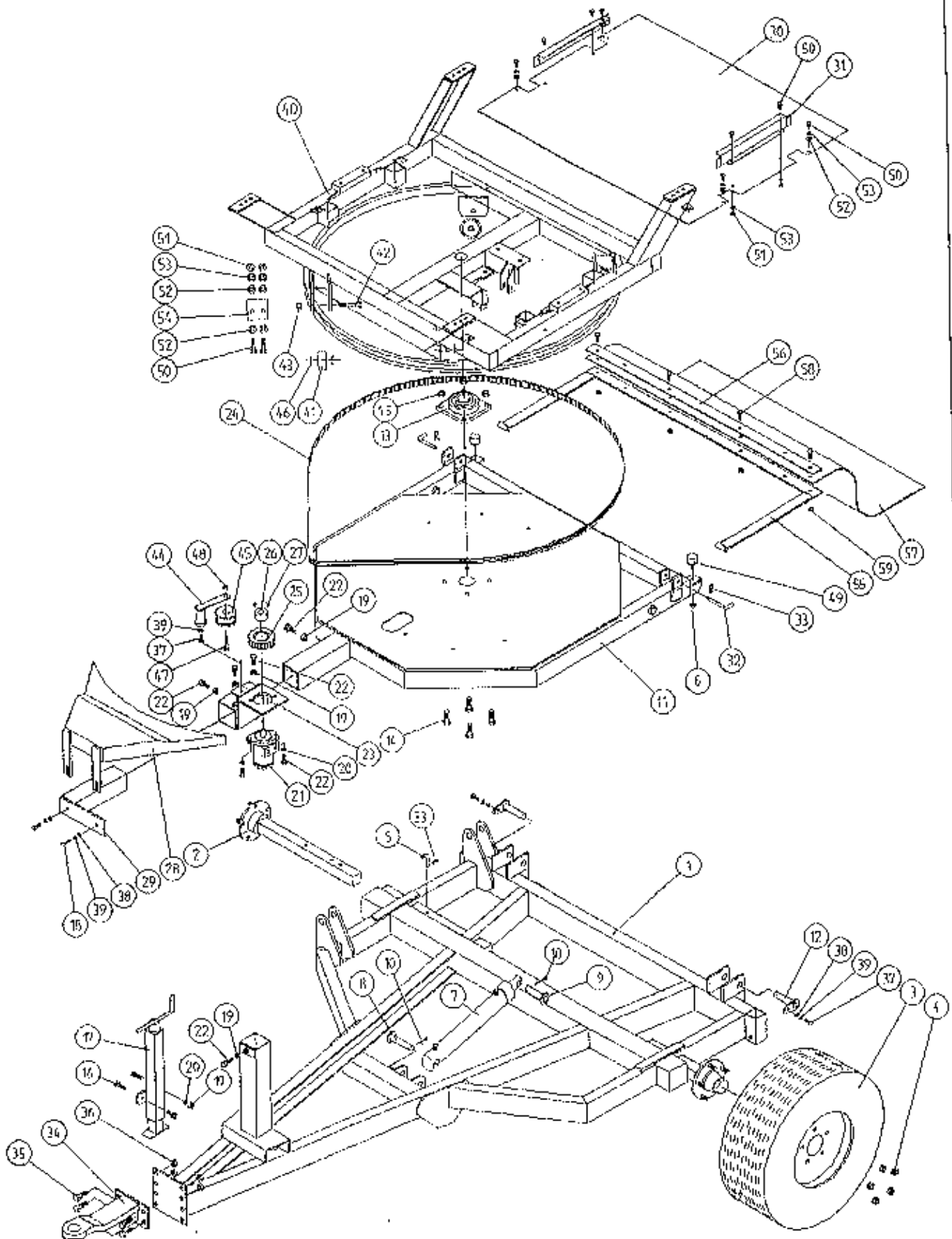
TANCO AUTOWRAP 1992

PARTS LIST

INDEXING QUADRANT ASSEMBLY (50% OVERLAP WITH 750MM WIDE FILM ROLL)

<u>ITEM NO.</u>	<u>DESCRIPTION</u>	<u>QTY.</u>	<u>PART NO</u>
1.	TIPPING FRAME ASSY.	1	WD60-TF
2.	QUADRANT ASSY.	1	WD60-QA
3.	3/4" DIA CAM FOLLOWER (HEAVY DUTY) C/W GREASE NIPPLE	22	Z06-425
4.	10mm DIA FLAT WASHERS	6	Z11-02-10
5.	3/8" UNF LOCKNUTS (BINX)	22	Z20-12
6.	RUBBER BUFFER 100mm DIA x 40mm LONG	4	Z40-22
7.	16mm DIA FLAT WASHERS	20	Z10-02-16
8.	16mm DIA SPRING WASHERS	8	Z12-02-16
9.	M1.6 HEX NUT	8	Z18-16
10.	RUBBER BUFFER 50mm DIA x 25mm LONG	2	Z40-23
11.	CAM ASSY (SHORT)	2	WD623-CAS
12.	M1.0 HEX HD SET x 30mm LONG	6	Z26-062S
13.	M1.0 HEX NUT	8	Z18-10
14.	10mm DIA SPRING WASHER	26	Z12-02-10
15.	CAM ASSY (LONG)	2	WD623-CAL

# TANCO AUTOWRAP 1200 MODEL



WD625 - PLG

## TANCO AUTOWRAP 1200 MODEL

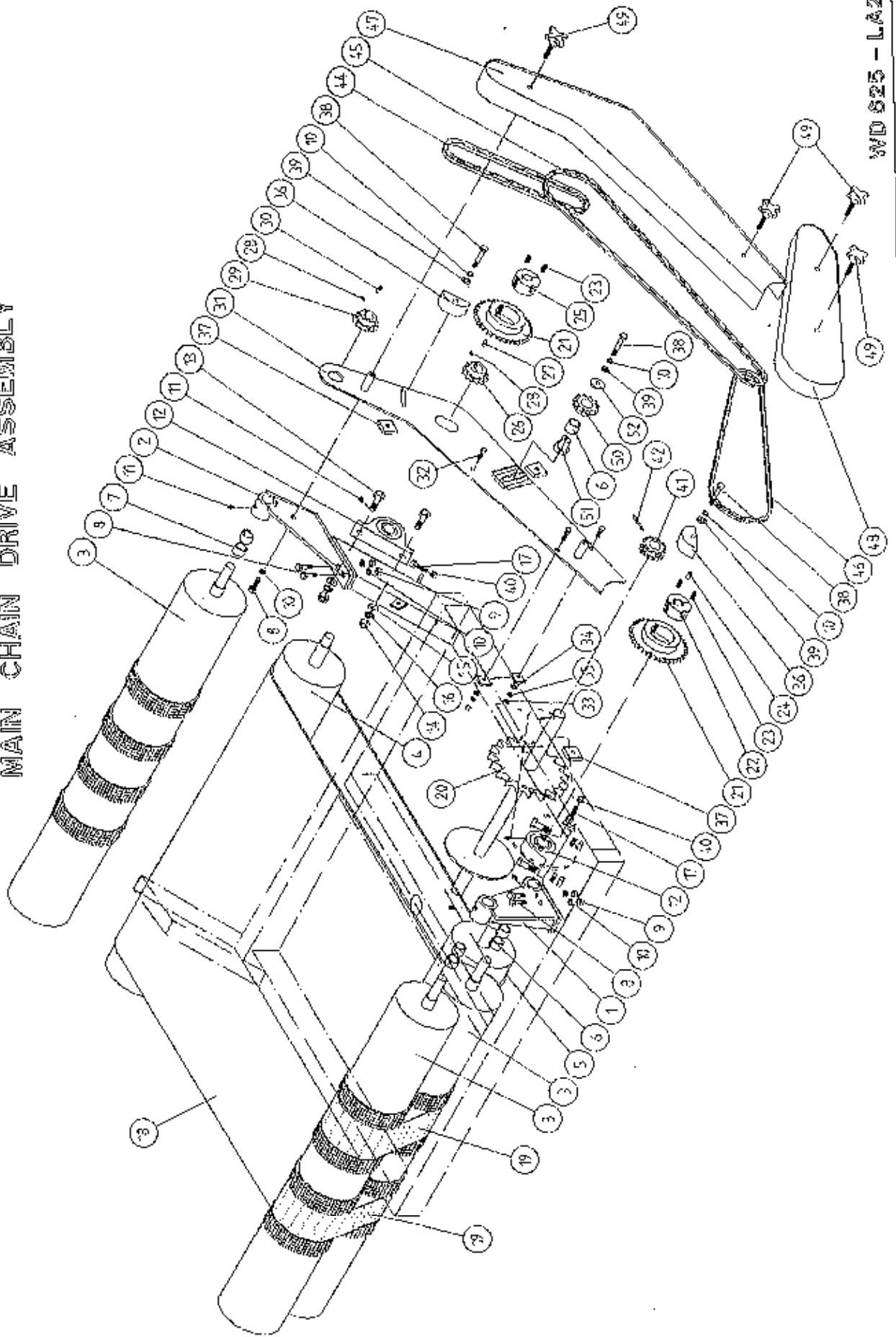
## PARTS LIST

ITEM NO.	DESCRIPTION	QTY	PART NO.
1.	CHASSIS ASSY	1	WD60-CHA
2.	STUB AXLE (ADJUSTABLE)	1	Z04-033
3.	WHEELS	2	Z04-031
4.	WHEEL NUTS	10	Z04-0331
5.	BISSEL PIN	1	Z03-22-AWB2
6.	M10 HEX NUT		Z18-10
7.	HYD. RAM	1	Z01-01-AR687
8.	RAM BOTTOM PIVOT PIN	1	Z03-02-330
9.	RAM TOP PIVOT PIN	1	Z03-03-50
10.	2" x 1/2" SPLIT PIN	2	Z03-21-29
11.	TIPPING FRAME ASSY	1	WD60-TF
12.	TIPPING FRAME PIVOT PIN C/W GREASE NIPPLE	2	Z03-01-905 Z39-60
13.	2" DIA FLANGE BEARING	1	Z06-49
14.	5/8" UNF HEX HD. SET x 2" LONG	4	Z30B-064
15.	3/8" UNF LOCKNUT	4	Z20-10
16.	M12 HEX HD. SET x 40mm LONG		Z26S-084
17.	SCREW JACK ASSY	1	WD60-JA
18.	M10 HEX HD. SET x 30mm LONG		Z26-0623
19.	M12 HEX NUT		Z18-12
20.	12mm DIA SPRING WASHER		Z12-02-12
21.	HYD. MOTOR C.L.	1	Z01-02-ARTS
22.	M12 HEX HD. SETS x 30mm LONG	7	Z26-082S
23.	HYD. MOTOR MOUNTING ASSY	1	WD60-MMB
24.	170" LONG x 1/2" PITCH x 1" WIDE TOOTHED BELT	1	Z05-02-AW2
25.	4" DIA x 1/2" PITCH TOOTH PULLY	1	Z09-005-AW1
26.	TAPER LOCK BUSH TO SUIT 1" DIA SHAFT	1	Z09-005-AW2
27.	M10 STUDS x 15mm	2	Z28-01
28.	HYD. MOTOR GUARD ASSY.	1	WD60-MMG
29.	HYD. MOTOR GUARD MOUNTING BRACKET	1	WD60-MAMG
30.	TURN TABLE COVER PLATE	1	WD625-109
31.	BELT GUIDE ASSY.	2	WD625-BQ
32.	BISSEL PIN	2	Z03-22-AW100
33.	4mm "R" CLIP	3	Z36-02
34.	HITCH ASSY	1	WD60-MIT
35.	M16 HEX HD, SET x 45mm LONG	4	Z26-123S
36.	M16 LOCKNUTS	4	Z23-16
37.	M10 HEX HD. SET x 25mm LONG (TUFTLOCK)	3	Z26S-061
38.	10mm DIA MACHINED FLAT WASHER	4	Z11-02-10
39.	10mm DIA SPRING WASHER	4	Z12-02-10
40.	TURNABLE ASSY	1	WD65-TA
41.	SUPPORT WHEELS (4" DIA)	4	Z06-466
42.	AXLE ASSY. C/W GREASE NIPPLE	4	Z03-22-AW/AX Z39-60
43.	M20 LOCKNUTS	4	Z23-20
44.	ROSTA TENSIONING UNIT ARM	1	Z06-454
45.	STEPPED ROLLER C/W BEARINGS	1	Z06-456
46.	SPACER	1	Z18-12
47.	M10 HEX HD. BOLT x 60mm LONG	1	Z26-0673

ITEM NO.	DESCRIPTION	QTY	PART NO.
48.	M10 LOCKNUT	1	Z23-10
49.	BUFFER 50mm DIA x 40mm LONG	2	Z40-20
50.	M8 HEX HD. SET x 20mm LONG	8	Z26-039S
51.	M8 HEX NUT	4	Z18-08
52.	8mm DIA FLAT WASHER (MUD FLAP)	4	Z11-02-081
53.	8mm DIA SPRING WASHER	8	Z12-02-08
54.	SCRAPER	2	WD60-70S
55.	RUBBER MAT MOUNTING ASSY.	1	WD63-RMM
56.	CLAMPING PLATE	1	WD63-1300
57.	BALE MAT	1	Z05-02AW
58.	M8 HEX HD SET x 25mm LONG	4	Z26-040S
59.	M8 LOCKNUTS	4	Z23-08



TANCO AUTOWRAP 1200 MODEL  
MAIN CHAIN DRIVE ASSEMBLY



WD 625 - LA2

TANCO AUTOWRAP 1200 MODEL.

WD625-LA2

MAIN CHAIN DRIVE ASSY

PARTS LIST

<u>ITEM NO.</u>	<u>DESCRIPTION</u>	<u>QTY.</u>	<u>PART NO.</u>
1.	ROLLER MOUNTING BRACKET	1	WD623-RM3
2.	ROLLER MOUNTING BRACKET	1	WD625-RM5
3.	TOP ROLLER ASSY.	3	WD625-TRA
4.	DRIVE ROLLER ASSEMBLY SHORT	1	WD625-RSA
5.	DRIVE ROLLER ASSEMBLY LONG	1	WD625-RLA
6.	OILITE BUSH 1 1/4" O.D. x 1" I.D. x 1" LONG	5	Z06-10
7.	OILITE BUSH 1 1/4" O.D. x 1" I.D. x 3/4" LONG	2	Z06-105
8.	M10 HEX HD SETS x 35mm LONG	5	Z26-063S
9.	M10 HEX NUT	4	Z18-10
10.	10mm DIA SPRING WASHER	8	Z12-02-10
11.	1/8" BSP ST/GREASE NIPPLE		Z39-60
12.	1 1/4" PILLOW BLOCK BEARING	2	Z06-485
13.	M14 HEX HD BOLT x 50mm LONG	4	Z26-1048
14.	M14 HEX NUT	4	Z18-14
15.	14mm DIA MACHINED FLAT WASHER	4	Z11-02-14
16.	14mm SPRING WASHER	4	Z12-02-14
17.	M12 HEX HD SET x 60mm LONG	2	Z26-088S
18.	BALE BELT	1	Z05-02AWV1
19.	BALE LIFT BELT	2	Z05-02-AW3
20.	SPROCKET SHAFT ASSY	1	WD625-SPR
21.	38 TOOTH X 1/2" PITCH SIMPLEX SPROCKET TO SUIT 08B-1 CHAIN	2	Z06-AW3
22.	TAPER LOCK BUSH 2012 x 1 1/4" I.D.	1	Z06-AW22
23.	SOCKET SCREWS	4	Z99
24.	KEY 5/16" x 5/16" x 32mm LONG	1	WD623-K32
25.	TAPER LOCK BUSH 2012 x 1" I.D.	1	Z06-AW21
26.	12 TOOTH x 5/8" PITCH SIMPLEX SPROCKET TO SUIT 10B-1 CHAIN	1	Z06-D623-323
27.	KEY 1/4" x 1/4" x 52mm LONG	1	WD623-K52
28.	M6 GRUB SCREW		Z28-006
29.	12 TOOTH x 5/8" PITCH SIMPLEX SPROCKET TO SUIT 10B-1 CHAIN	1	Z06-D623-310

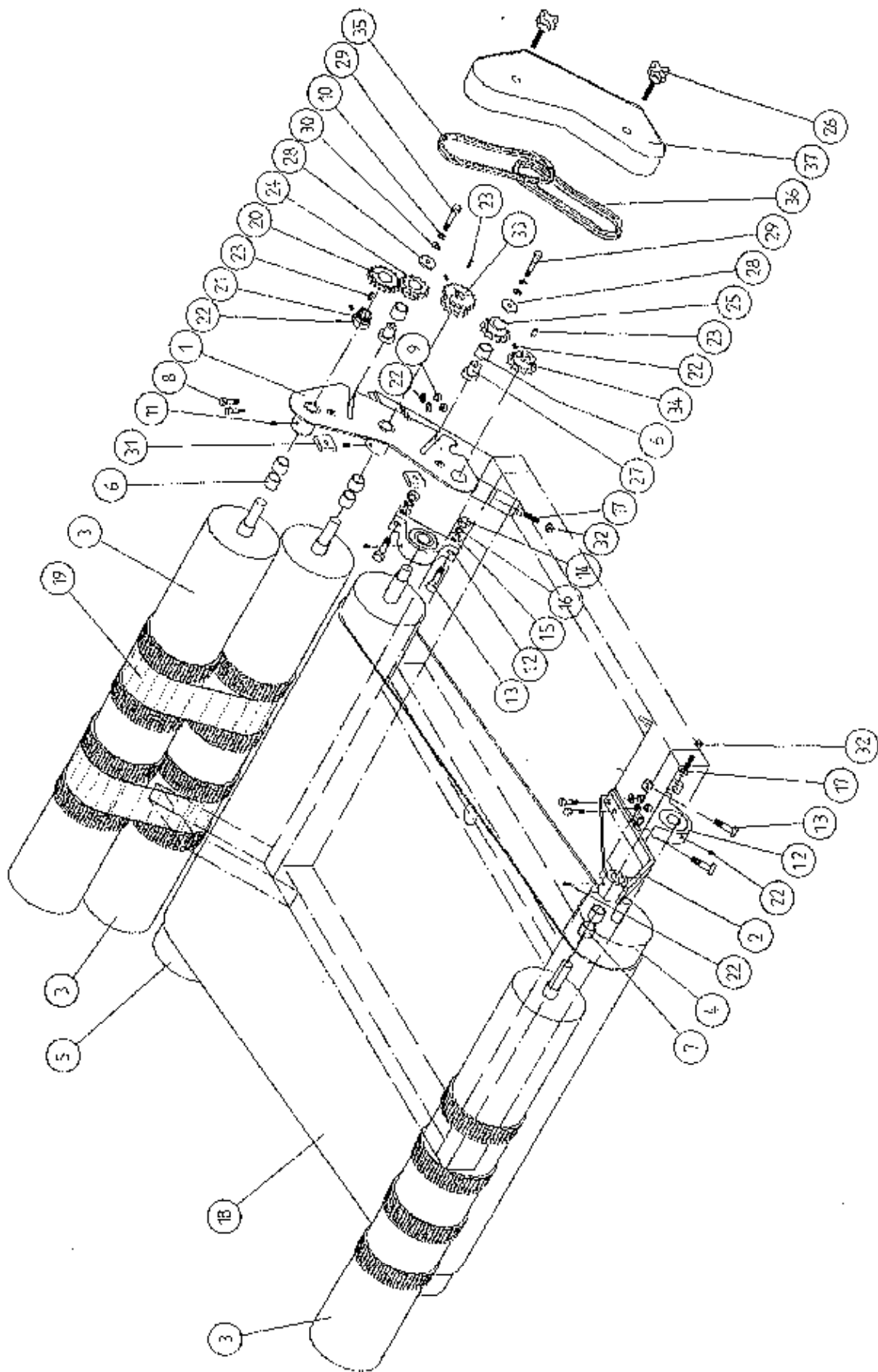
TANCO AUTOWRAP 1200 MODEL

MAIN CHAIN DRIVE ASSY

PARTS LIST

<u>ITEM NO.</u>	<u>DESCRIPTION</u>	<u>QTY.</u>	<u>PART NO.</u>
30.	KEY 1/4" x 1/4" x 25mm LONG	1	WD623-K25
31.	CHAIN GUARD BACK PLATE ASSY.	1	WD625-CBP
32.	M8 HEX HD SET x 30mm LONG	3	Z26-0415
33.	M8 HEX NUT	3	Z18-08
34.	8mm DIA FLAT WASHER	3	Z11-02-08
35.	8mm DIA SPRING WASHER	3	Z12-02-08
36.	CHAIN TENSIONER	2	WD60-776
37.	LOCKING PLATE	3	WD60-060
38.	M10 HEX HD BOLT x 60mm LONG	3	Z26-067B
39.	10mm DIA FLAT WASHER	3	Z11-02-10
40.	M12 HEX NUT	2	Z18-12
41.	DOUBLE SIMPLEX SPROCKET	1	Z06-D623-322
42.	5/16" DIA TENSION PIN x 45mm LONG	1	Z03-20-022
43.	3/16" DIA TENSION PIN x 45mm LONG	1	Z03-21-15
44.	CHAIN 10B-1 (5/8" PITCH SIMPLEX) x 56 PITCHES (INCL. JOINER)	1	Z09-06-10-56
45.	CHAIN 08B-1 (1/2" PITCH SIMPLEX) x 139 PITCHES (INCL 1/2 LINK & JOINER)	1	Z09-06-08-139
46.	CHAIN 08B-1 (1/2" PITCH SIMPLEX) x 105 PITCHES (INCL 1/2 LINK & JOINER)	1	Z09-06-08-105
47.	CHAIN GUARD	1	WD625-CGL
48.	CHAIN GUARD	1	WD625-CGM
49.	BLACK KNOB 1262-M M10 x 50	4	Z49-96
50.	15 TOOTH x 1/2" PITCH SIMPLEX SPROCKET TO SUIT 08B-1 CHAIN	1	Z06-D623-324
51.	SPROCKET SLEEVE	1	WD623-072
52.	RETAINING COLLAR	1	WD623-071

TANCO AUTOWRAP 120C MODEL  
SECONDARY CHAIN DRIVE ASSEMBLY



WD 625 - LA1

TANCO AUTOWRAP 1200 MODEL

WD625-LA1

## SECONDARY CHAIN DRIVE ASSY

PARTS LIST

<u>ITEM NO.</u>	<u>DESCRIPTION</u>	<u>QTY.</u>	<u>PART NO.</u>
1.	ROLLER MOUNTING BRACKET	1	WD623-RM4
2.	ROLLER MOUNTING BRACKET	1	WD625-RM6
3.	TOP ROLLER ASSY.	3	WD625-TRA
4.	DRIVE ROLLER ASSEMBLY (SHORT)	1	WD625-RSA
5.	DRIVE ROLLER ASSEMBLY (LONG)	1	WD625-RLA
6.	OILITE BUSH (1 1/4" O.D. x 1" I.D. x 1" LONG)	6	Z06-10
7.	OILITE BUSH (1 1/4" O.D. x 1" I.D. x 3/4" LONG)	2	Z06-105
8.	M10 HEX HD SETS x 35mm LONG	4	Z26-063S
9.	M10 HEX NUT	4	Z18-10
10.	10mm DIA SPRING WASHER	6	Z12-02-10
11.	1/8" BSP ST/GREASE NIPPLE		Z39-60
12.	1 1/4" PILLOW BLOCK BEARING	2	Z06-485
13.	M14 HEX HD BOLT x 50mm LONG	4	Z26-104B
14.	M14 HEX NUT	4	Z18-14
15.	14mm DIA MACHINED FLAT WASHER	4	Z11-02-14
16.	14mm DIA SPRING WASHER	4	Z12-02-14
17.	M12 HEX HD SET x 60mm LONG	2	Z26-088S
18.	BALE BELT	1	Z05-02AWV1
19.	BALE LIFT BELT	2	Z05-02-AW3
20.	A08B1-19 INDUSTRIAL RATCHET FREEWHEEL, TO SUIT 08B-1 CHAIN	1	Z0G-90
21.	A211 ADAPTOR 1" I.D.	1	Z0G-901
22.	M6 GRUB SCREW		
23.	KEY 1/4" x 1/4" x 25mm LONG	3	WD623-K25
24.	15 TOOTH x 1/2" PITCH SIMPLEX SPROCKET TO SUIT 08B-1 CHAIN	1	Z06-0623-324
25.	12 TOOTH x 5/8" PITCH SIMPLEX SPROCKET TO SUIT 10B-1 CHAIN	1	Z06-0623-309
26.	BLACK KNOB 1262 M M10 x 50	2	Z49-12
27.	SPROCKET SLEEVE	2	WD623-072
28.	RETAINING COLLAR	2	WD623-071
29.	M10 HEX HD BOLT x 60mm LONG	2	Z26-067B

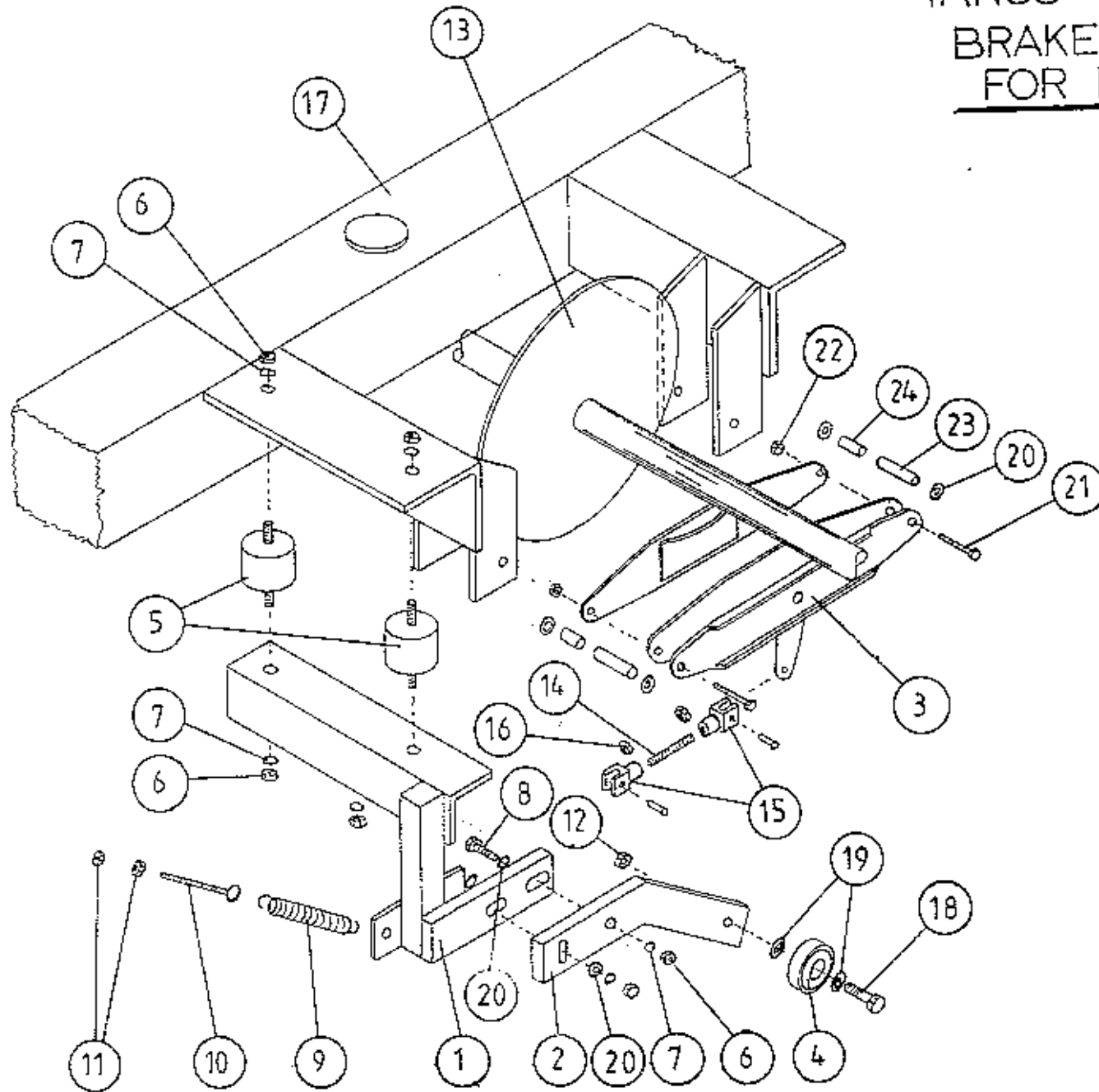
TANCO AUTOWRAP 1200 MODEL

SECONDARY CHAIN DRIVE ASSY

PARTS LIST

<u>ITEM NO.</u>	<u>DESCRIPTION</u>	<u>QTY.</u>	<u>PART NO.</u>
30.	10mm DIA FLAT WASHER	2	Z11-02-10
31.	LOCKING PLATE	2	WD60-060
32.	M12 HEX NUT		Z18-12
33.	DOUBLE SIMPLEX SPROCKET	1	Z06-D623-321
34.	12 TOOTH x 5/8" PITCH SIMPLEX SPROCKET TO SUIT 10B-1 CHAIN	1	Z06-D623-310
35.	CHAIN 08B-1 (1/2" PITCH SIMPLEX) x 48 PITCHES (INCL. JOINER)	1	Z09-06-08-48
36.	CHAIN 10B-1 (5/8" PITCH SIMPLEX) x 38 PITCHES (INCL. JOINER)	1	Z09-06-10-38
37.	CHAIN GUARD	1	WD625-GGS

TANCO AUTOWRAP 1992  
BRAKE ARRANGEMENT  
FOR INDEXING SHAFT



TANCO AUTOWRAP 1992

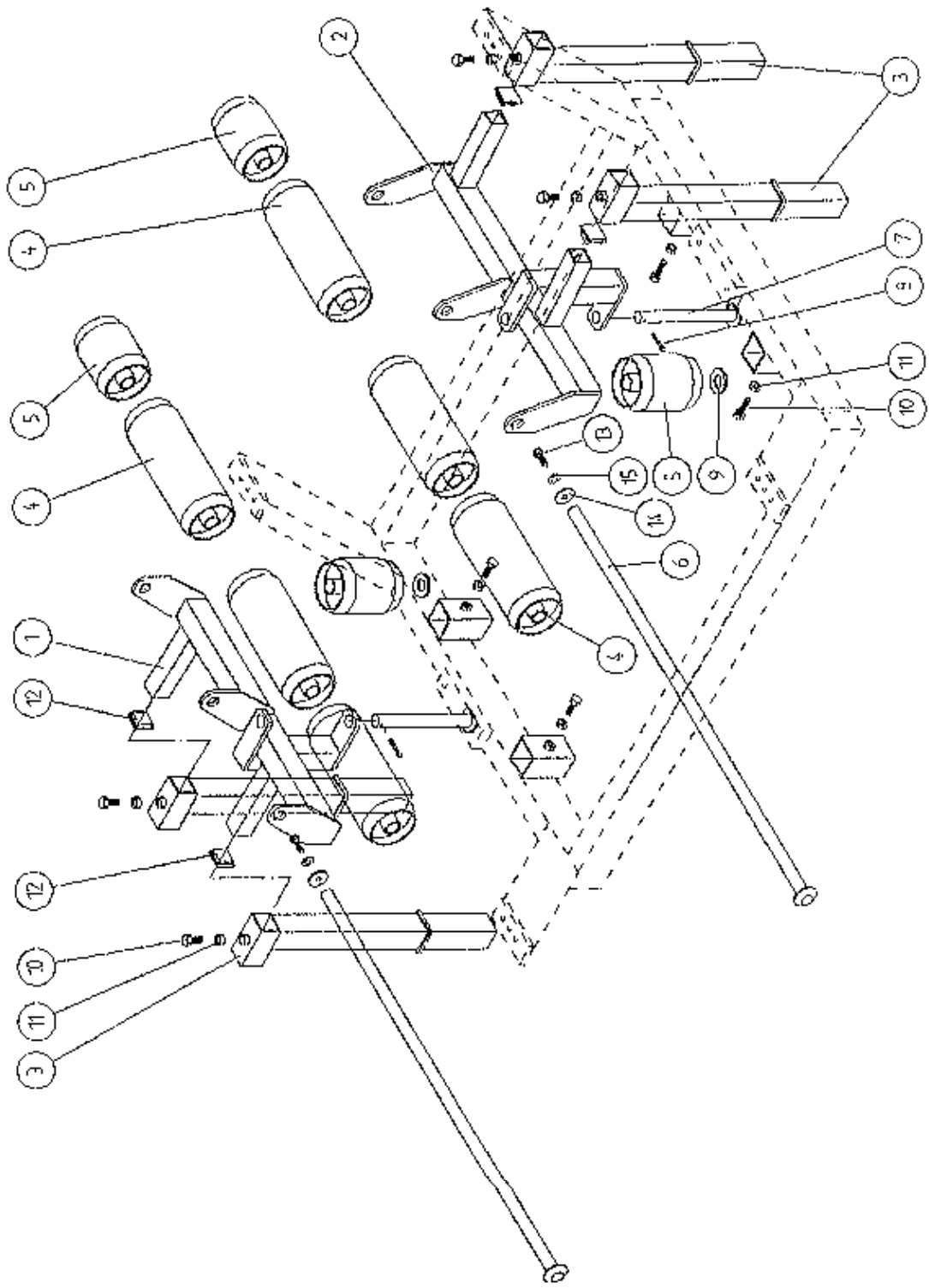
BRAKE ARRANGEMENT FOR INDEXING SHAFT

PARTS LIST

<u>ITEM NO.</u>	<u>DESCRIPTION</u>	<u>QTY.</u>	<u>PART NO.</u>
1.	CAM FOLLOWER MOUNTING BRACKET (UPPER)	1	WD60-CFMB
2.	CAM FOLLOWER MOUNTING BRACKET (LOWER)	1	WD60-B04
3.	CALIPER DISC BRAKE UNIT	1	Z49-92
4.	BALL BEARING (6301)	1	Z06-43
5.	RUBBER BUFFER 50mm DIA x 30 LONG TYPE A 57 SHORE	2	Z40-21
6.	M10 HEX NUTS	6	Z18-10
7.	1.0mm DIA SPRING WASHERS	6	Z12-02-1.0
8.	M10 HEX HD SET x 40 LONG	2	Z26-064S
9.	TENSION SPRING	1	Z07-05
10.	EYE BOLT (M8)	1	WD60-EB
11.	M8 HEX NUTS	2	Z18-08
12.	M12 LOCKNUT	1	Z23-12
13.	SPROCKET/SHAFT ASSY	1	WD625-SPR
14.	5/16" UNF THREADED BAR x 90mm LONG	1	WD60-806
15.	5/16" UNF CLEVIS C/W PIN & CLIP	2	Z49-33
16.	5/16" UNF HEX NUT	2	Z15-05
17.	TURN TABLE	1	WD60-TT
18.	M12 HEX HD. SETS x 40mm LONG	1	Z26-084S
19.	12mm DIA FLAT WASHER	2	Z11-02-12
20.	10mm DIA FLAT WASHER	7	Z11-02-10
21.	3/8" UNF HEX HD. BOLT x 3" LONG	2	Z31B-102
22.	3/8" UNF LOCK NUT	2	Z15-06
23.	SPACER 1/2" O.D. x 13/32" I.D. x 1 1/2" LONG	2	
24.	SPACER 1/2" O.D. x 13/32" I.D. x 1/2" LONG	2	



TANCO AUTOWRAP 1200 MODEL  
 END ROLLER MOUNTING BRACKET ASSEMBLY



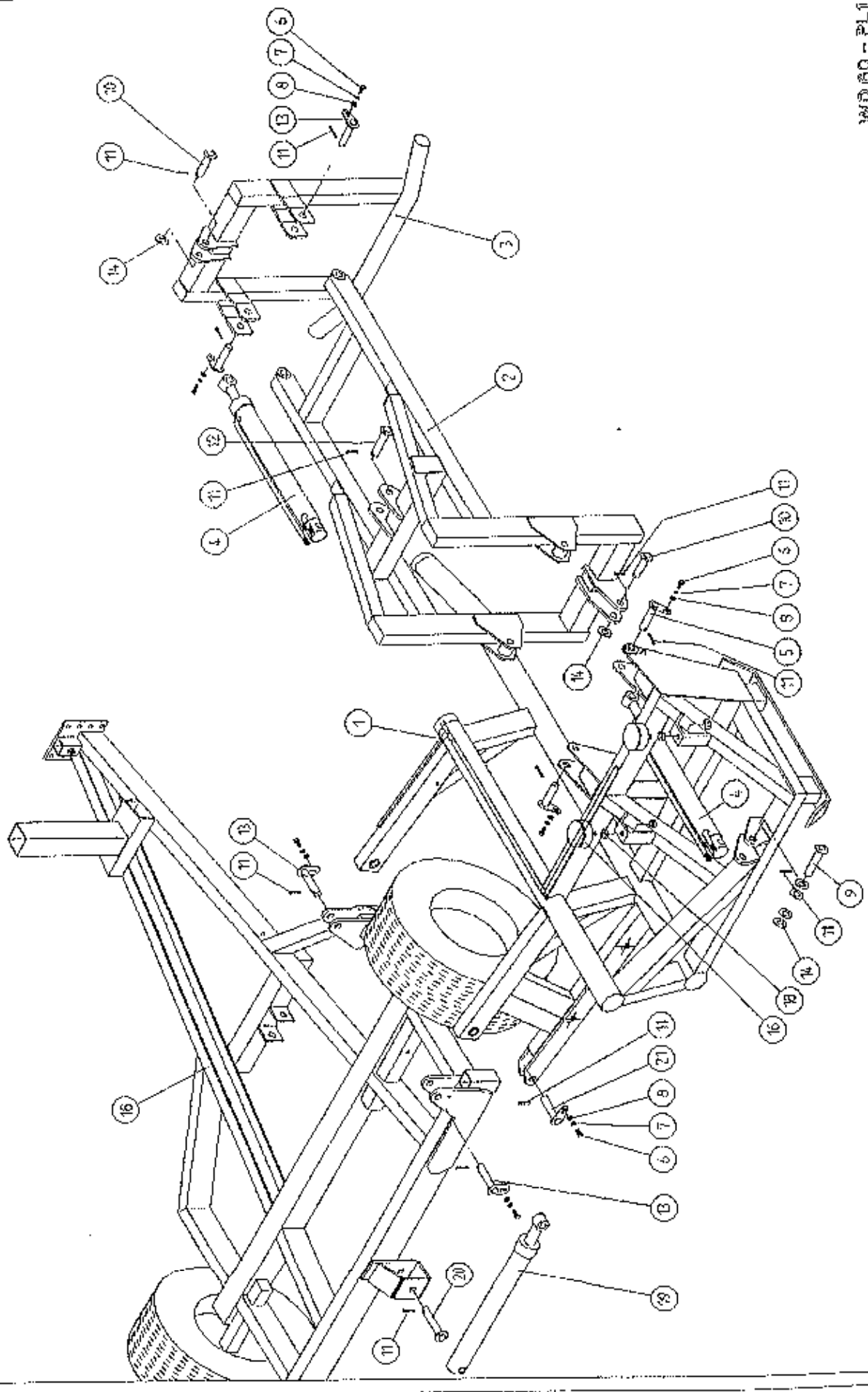
TANCO AUTOWRAP 1200 MODEL.

END ROLLER MOUNTING BRACKET ASSY.

PARTS LIST

<u>ITEM NO.</u>	<u>DESCRIPTION</u>	<u>QTY.</u>	<u>PART NO.</u>
1.	ROLLER MOUNTING BRACKET	1	WD625-ERM1
2.	ROLLER MOUNTING BRACKET	1	WD625-ERM2
3.	SOCKET ASSY.	4	WD625-ERSA
4.	ROLLER ASSY (LONG)	6	WD68-LRA
5.	ROLLER ASSY (SHORT)	4	WD625-ERAS
6.	ROLLER PIVOT PIN (LONG)	2	WD625-PL
7.	ROLLER PIVOT PIN (SHORT)	2	WD625-ERPS
8.	1/4" DIA SPLIT PIN x 1 1/2" LONG	2	Z03-21-27
9.	1" DIA HEAVY FLAT WASHER	6	Z10-02-25
10.	M12 HEX HD SET x 40mm LONG	8	Z26S-084
11.	M12 HEX NUT	8	Z18-12
12.	PLASTIC CAP	4	Z32-07
13.	M10 HEX HD SET x 25 LONG (TUFLOCK)	2	Z26-061S
14.	THRUST WASHER	2	WD623-071
15.	10mm DIA SPRING WASHER	2	Z12-02-10

TANCO AUTOWRAP 1200 MODEL  
LIFT ARM ASSEMBLY



WD 60 - PL 1

TANCO AUTOWRAP 1200 MODEL

LIFT ARM ASSEMBLY

PARTS LIST

<u>ITEM NO.</u>	<u>DESCRIPTION</u>	<u>QTY.</u>	<u>PART NO.</u>
1.	LIFT ARM ASSY	1	WD625-1A
2.	LIFT ARM - GRAB FRAME	1	WD625-LAGF
3.	LIFT ARM - GRAB SECTION	1	WD625-LAGS
4.	HYDRAULIC RAM D/A	1	Z01-01-140
5.	GRAB FRAME PIVOT PIN C/W GREASE NIPPLE	2	Z03-01-796
6.	M10 HEX HD. SET x 25mm LONG	7	Z26S-061.
7.	10mm DIA SPRING WASHER	7	Z12-02-10
8.	10mm DIA FLAT WASHER	7	Z11-02-10
9.	MAIN FRAME BOTTOM RAM PIVOT PIN	1	Z03-02-54S
10.	MAIN FRAME AND GRAB TOP RAM PIVOT PIN	2	Z03-03-50
11.	1/4" DIA SPLIT PIN x 1 1/2" LONG	11	Z03-21-27
12.	GRAB BOTTOM RAM PIVOT PIN	1	Z03-02-218
13.	GRAB PIVOT & LIFT ARM PIVOT PIN C/W GREASE NIPPLE	4	Z03-01-905
14.	1" DIA HEAVY FLAT WASHER	6	Z10-02-25
15.	HYDRAULIC RAM D/A	1	Z01-01-140S
16.	RUBBER BUFFER	2	Z40-26
17.	M16 HEX NUT	4	Z18-16
18.	CHASSIS ASSY	1	WD60-CHA
19.	HYDRAULIC RAM (LIFT ARM)	1	Z01-01-AWQ1Z
20.	RAM BOTTOM PIVOT PIN	1	Z03-02-330
21.	RAM TOP PIVOT PIN	1	Z03-01-797



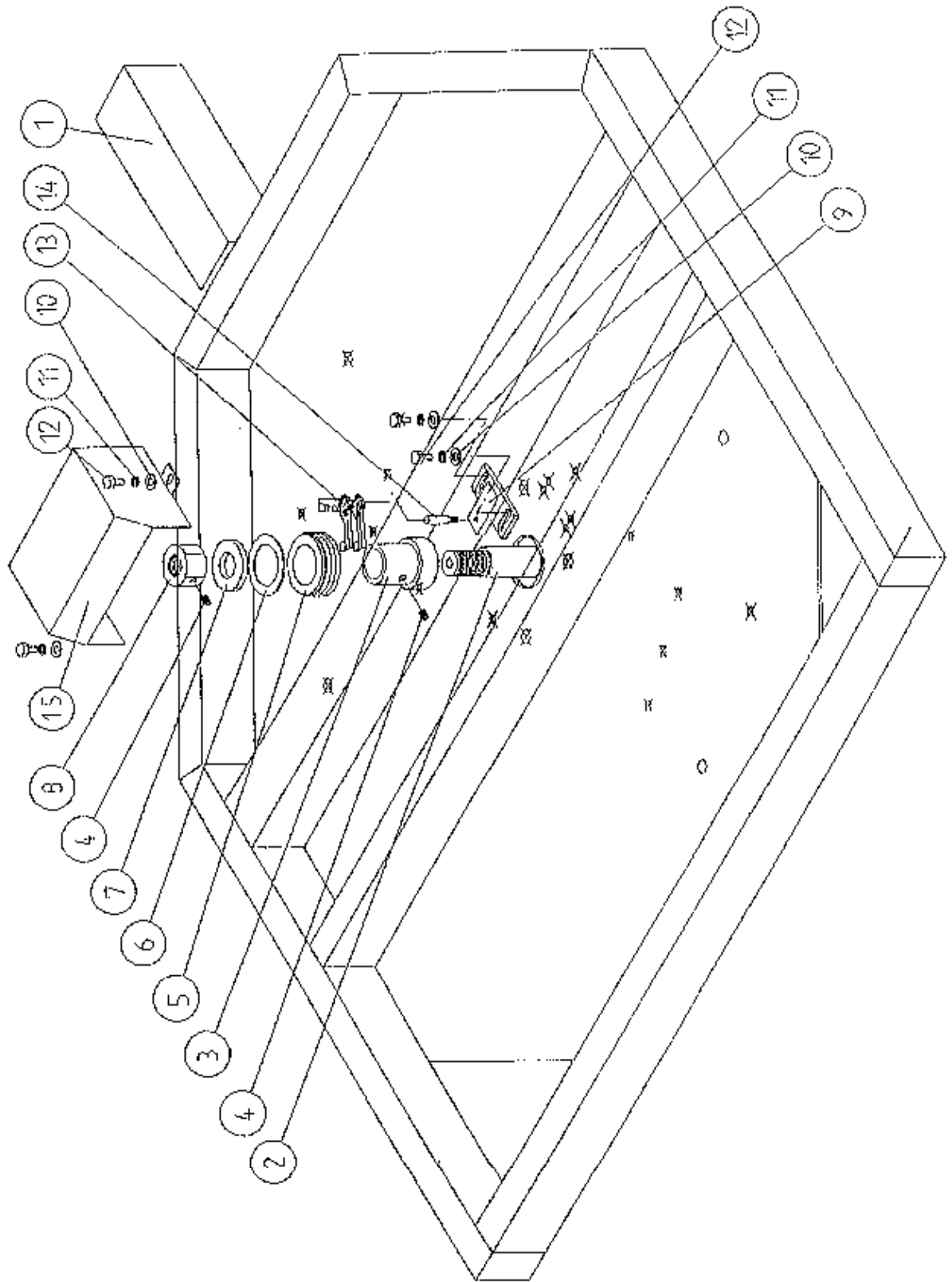
TANCO AUTOWRAP 1992

FILM DISPENSING SYSTEM

PARTS LIST

<u>ITEM NO.</u>	<u>DESCRIPTION</u>	<u>QTY.</u>	<u>PART NO.</u>
1.	M10 LOCKNUTS	4	Z23-10
2.	PLASTIC CAPS (TO SUIT 40 x 40 x 3 RHS)	4	Z32-07
3.	DISPENSER MOUNTING (UPPER)	1	WD60-DMUH
4.	FILM SPOOL ASSEMBLY	1	WD60-SPO
5.	1" DIA FLANGE BEARING	2	Z06-48
6.	M10 HEX HD. BOLT x 50mm LONG	4	Z26-066R
7.	CONE (TOP) 8 C/W BALL BEARINGS	1	Z06-45-01
8.	CLAMP ASSEMBLY	1	WD60-DMCA
9.	LEVER ASSEMBLY	1	WD60-DMLA
10.	LINK ASSEMBLY	1	WD60-DMLK
11.	FILM DISPENSER UNIT MK 8	1	D615
12.	SLAVE ROLLER ASSY (PLASTIC COATED)	1	WD625-SLR
13.	SLAVE ROLLER PIVOT	2	WD60-253
14.	M12 HEX NUTS	6	Z18-12
15.	12mm DIA SPRING WASHER	2	Z12-02-12
16.	SPOOL VALVE MOUNTING PLATE ASSEMBLY	1	WD60-SUMP
17.	1/4" DIA TENSION PIN x 3/4" LONG	1	Z03-20-062
18.	DISPENSER MOUNTING (LOWER)	1	WD60-DMLH
19.	M12 HEX HD BOLT x 130mm LONG	1	Z26-094B
20.	M12 LOCKNUT	3	Z23-12
21.	M8 HEX HD BOLT x 35mm LONG	1	Z26-042S
22.	M8 LOCKNUT	1	Z23-08
23.	M12 HEX HD SET x 30mm LONG	2	Z26-082S
24.	M12 HEX HD BOLT x 100mm LONG	1	Z26-092D
25.	CONE (BOTTOM)	1	Z06-45-02
26.	CLEVIS (M10)	1	Z49-336
27.	PIN (5/16" DIA) C/W CLIP	2	Z49-337

TANCO AUTOWRAP - CUT AND START UNIT (1992)  
SLIP RING ASSEMBLY



TANCO AUTOWRAP CUT AND START UNIT (1992)

SLIP RING ASSY.

PARTS LIST

<u>ITEM NO.</u>	<u>DESCRIPTION</u>	<u>QTY.</u>	<u>PART NO.</u>
1.	UNDERSIDE OF TIPPING FRAME	1	
2.	TURNTABLE SPINDLE	1	WD60-768
3.	SLIP RING MOUNTING SLEEVE	1	WD60-769
4.	MB GRUB SCREW	2	Z28-006
5.	SLIP RING ASSY.	1	Z0605-308
6.	INSULATING RING	1	Z0605-350
7.	LOCKING COLLAR	1	WD60-715
8.	1 1/4" UNC HEX NUT	1	Z18-300
9.	SLIP RING MOUNTING BRACKET ASSY.	1	WD605-SMB
10.	10mm DIA FLAT WASHER 1" O.D.	4	Z11-02-101
11.	10mm SPRING WASHER	4	Z12-02-10
12.	M10 HEX HD SET x 20mm	4	Z26-060S
13.	BRUSHES	2	Z0605-306
14.	INSULATOR SLEEVE	1	Z0605-304
15.	SLIP RING GUARD ASSY	1	WD605-SRMG



TANCO AUTO WRAP CUT AND START  
 SENSOR MOUNTING BRACKET  
 MAGNET MOUNTING BRACKET.

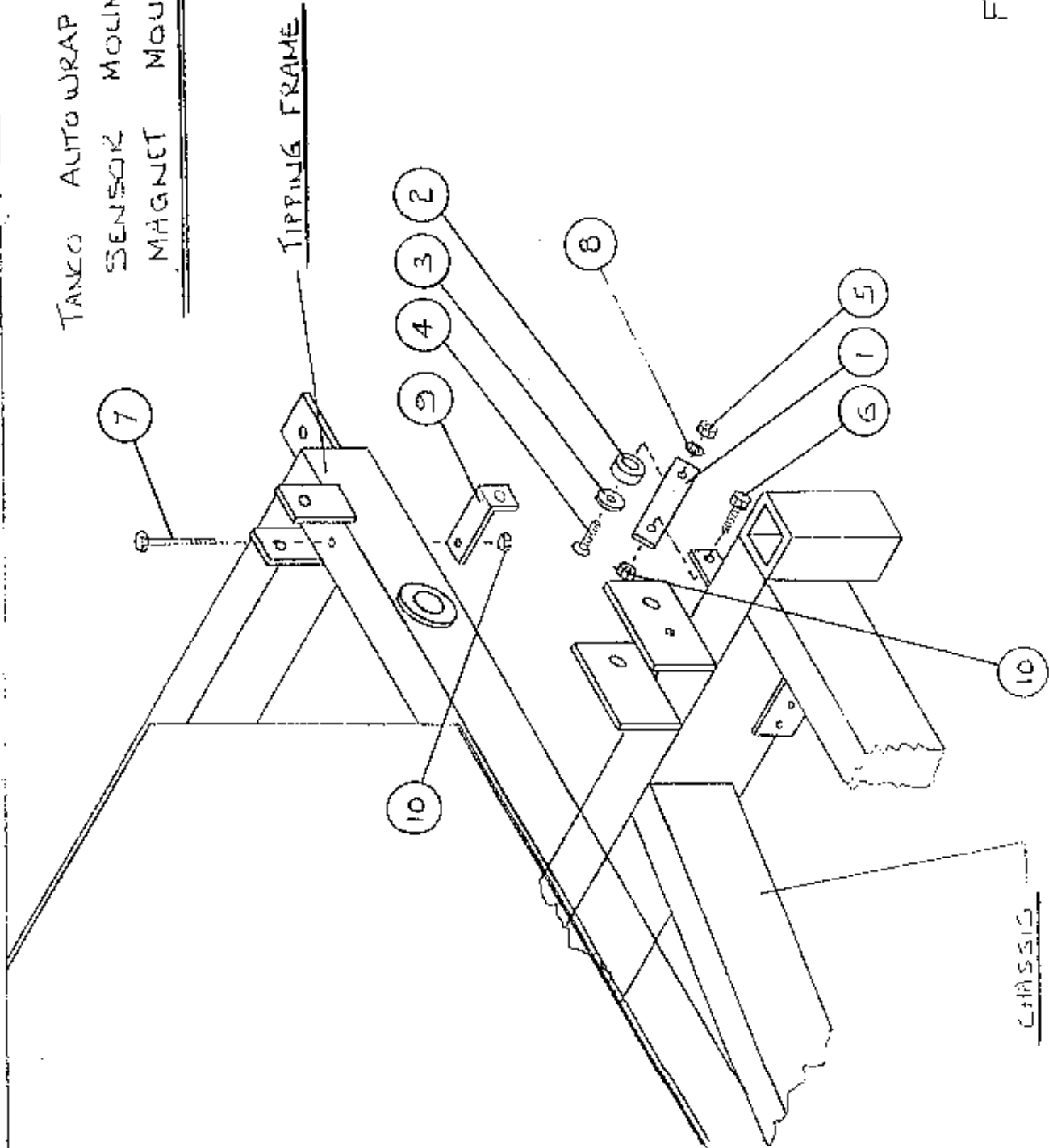


FIG. 6.

TANCO © 1989.

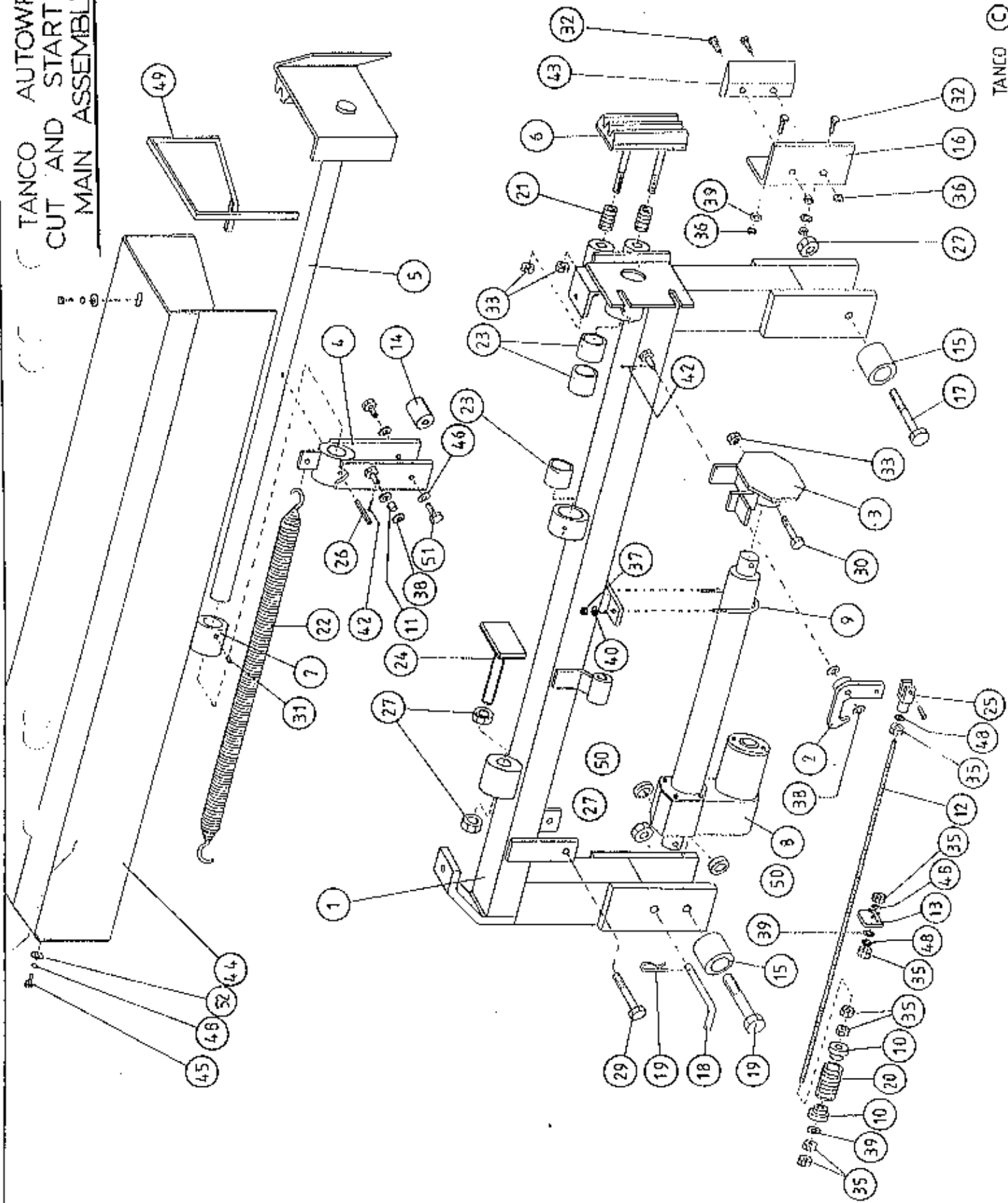
TANCO AUTOWRAP CUT AND START UNIT 1992

SENSOR AND MAGNET MOUNTING BRACKETS

PARTS LIST

<u>ITEM NO.</u>	<u>DESCRIPTION</u>	<u>QTY.</u>	<u>PART NO.</u>
1	MAGNET MOUNTING FLAT	1	WD605-57
2	MAGNET 35mm O.D. x 17mm I.D. x 8mm LONG	1	ZD605-200
3	8mm DIA FLAT WASHER 1" O.D.	1	Z11-02-081
4	M6 CS'K SET SCREW x 25mm	1	Z13-131
5	M8 LOCKNUT (NYLOCK)	1	Z23-06
6	M8 HEX HD SET x 20mm	1	Z26-020S
7	M6 HEX HD BOLT x 100	1	Z26-057B
8	6mm DIA FLAT WASHER	1	Z11-02-06
9	SENSOR MOUNTING BRACKET	1	WD605-58
10	M8 LOCKNUT (NYLOCK)	2	Z23-08

TANCO AUTOWRAP  
CUT AND START UNIT (1992)  
MAIN ASSEMBLY



TANCO AUTOWRAP CUT AND START UNIT (1992)

PARTS LIST

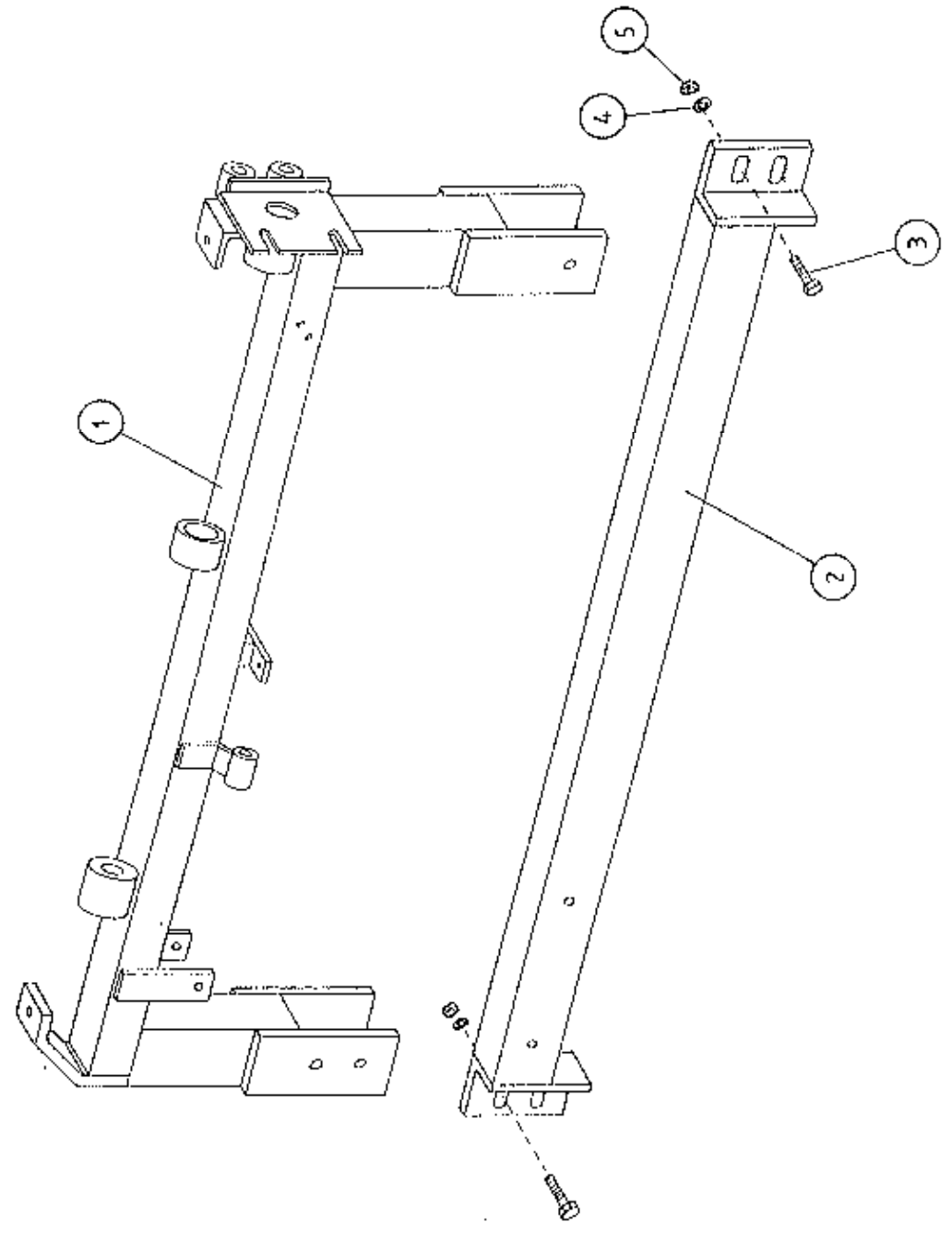
<u>ITEM NO.</u>	<u>DESCRIPTION</u>	<u>QTY.</u>	<u>PART NO.</u>
1.	MAIN MOUNTING FRAME ASSY.	1	WD605-MFA
2.	LATCH ASSY.	1	WD605-LA
3.	PUSH PLATE ASSY.	1	WD605-PP
4.	GUIDE ASSY.	1	WD605-GB
5.	PLUNGER ASSY.	1	WD605-PL
6.	FILM GRIPPER ASSY.	1	WD605-FG
7.	PLUNGER END CAP	1	WD605-90
8.	WARNER LINEAR ACTUATOR D11 10B5 08 NO CLUTCH 12V	1	Z0605-500
9.	"U" BOLT	1	WD605-45
10.	STEPPED COLLAR	2	WD605-46
11.	SLEEVE 1/2" DIA O.D. x 13/32" DIA I.D.	1	WD605-47
12.	THREADED ROUND 5/16" UNF	1	WD605-48
13.	TRIGGER	1	WD605-50
14.	COLLAR 1" DIA BRIGHT RD. x 41.5mm LONG	1	WD605-51
15.	SPACER	1	WD605-100
16.	BLADE GUARD/MOUNTING BRACKET	1	WD605-105
17.	M12 HEX HD BOLT x 80mm LONG	2	Z26-0901B
18.	BISSEL PIN	1	Z03-22-AW100
19.	4mm "R" CLIP	1	Z36-02
20.	SPRING 16mm O.D. x 1.5mm WIRE x 48mm LONG	1	Z07-34
21.	SPRING 1.09" O.D. x 0.092" WIRE x 1.54" LONG	2	Z07-44
22.	SPRING 1.125" O.D. x 0.125" WIRE x 330mm	1	Z07-46
23.	OILITE OIL RETAINING BUSH 1 1/8" O.D. x 3/4" I.D. x 1" L.	3	Z06-105
24.	RUBBER BUFFER ASSY.	1	WD605-RBA
25.	CLEVIS C/W PIN	1	Z49-33
26.	1 1/2" x 1/4" DIA TENSION PIN	1	Z03-20-07
27.	M16 HEX NUTS	2	Z18-16
28.	M12 LOCKNUTS	2	Z23-12
29.	M12 HEX HD BOLT x 65mm	1	Z26-0882B
30.	M12 HEX HD BOLT x 50mm	1	Z26-086B
31.	M8 GRUB SCREW	1	
32.	M8 HEX HD SET x 25mm	4	Z26-025S
33.	M12 B1X LOCKNUT	4	Z23-124X

TANCO AUTOWRAP CUT AND START UNIT (1992)

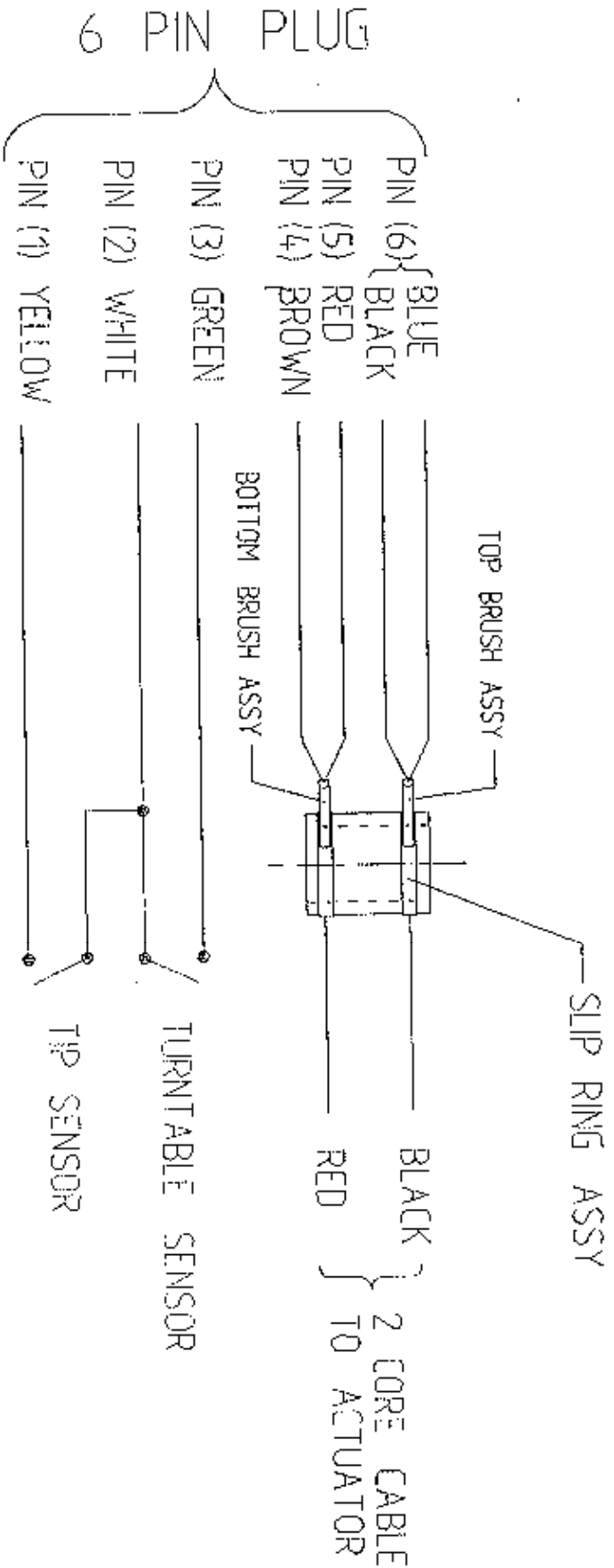
PARTS LIST

<u>ITEM NO.</u>	<u>DESCRIPTION</u>	<u>QTY.</u>	<u>PART NO.</u>
35.	5/16" UNF HEX NUT	7	215-05
36.	M8 LOCKNUT	6	218-08
37.	M6 LOCKNUT (NYLOCK)	2	223-16
38.	10mm DIA FLAT WASHER	10	211-02-10
39.	8mm DIA FLAT WASHER	5	211-02-08
40.	6mm DIA FLAT WASHER	2	211-02-06
42.	3mm DIA SPLIT PIN	2	203-21-02
43.	BLADE	1	244-34
44.	MAIN GUARD	1	WD605-MG
45.	M8 HEX HD SET x 20mm LONG	2	226-0208
46.	10mm DIA SPRING WASHER	2	212-02-10
47.			
48.	3mm DIA SPRING WASHER	9	212-02-08
49.	EDGING STRIP	1	244-12
50.	SPACER 1" O.D. x 1/2" I.D. x 6mm LONG	2	WD605-65
51.	M10 HEX HD SET x 20mm	2	226-0608
52.	8mm DIA FLAT WASHER 1" O.D.	4	211-02-081

TACTICO JOWRAP CUT AND MOUNTING FRAME PART (C)



# TANCO AUTOWRAP CUT AND START ELECTRICAL CIRCUIT



TANCO AUTOWRAP CUT AND START UNIT

MOUNTING FRAME

PARTS LIST

<u>ITEM NO.</u>	<u>DESCRIPTION</u>	<u>QTY.</u>	<u>PART NO.</u>
1.	MAIN MOUNTING FRAME ASSY.	1	WD605-MFA
2.	MAIN FRAME MOUNTING	1	WD605-MFM
3.	M10 HEX HD SET x 30mm LONG	2	Z26-0625
4.	10mm DIA SPRING WASHER	2	Z12-02-10
5.	M10 HEX NUT	2	Z18-10